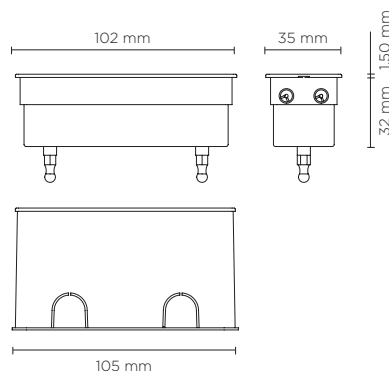







505004

NANOSTEP LINEAR

Linear shape wall-recessed luminaire for outdoor installation. Body and frontal cover in hard anodized aluminum with phospho-chromatised and polyester powder coating, tempered safety glass, moulded silicone gasket. Asymmetrical oval wide light distribution. Remote constant current max 700mA driver needed, with 3 CREE XP-G2 LED. IP68 rating.



350 mA - LED POWER 3W

light source	light beam options	lumen output (lm)	lumin. efficacy (lm/w)
2700°K warm-white			
high-power led	 10°x45° ELLIPTICAL	278	92.80
3000°K warm-white			
high-power led	 10°x45° ELLIPTICAL	284	94.80
4000°K neutral-white			
high-power led	 10°x45° ELLIPTICAL	290	96.80

Finish color options:



Technical features



Technical data

Wattage	MAX 6 WATT
IP Rating	IP68
IK Rating	IK08
Material	Hard anodized aluminum
Coating	Polyester powder coating with phosphochromating pre-finish
Light Source	3 x CREE XP-G2 LED
Screws	Stainless steel
Transformer	Electrical power supply 220/240V 50/60Hz built-in
Glass	Tempered
Power cable	0.3 mt. power cable included
Gross weight	0,50 Kg

