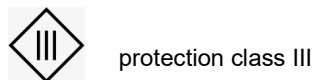


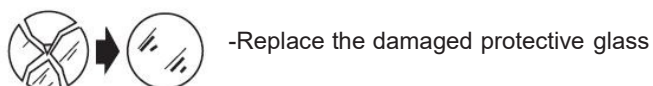
NANOWALL XS ROUND AND SQUARE

-COD. 403107
 -COD. 403108
 -COD. 403111
 -COD. 403112

ASSEMBLY AND OPERATING INSTRUCTIONS:



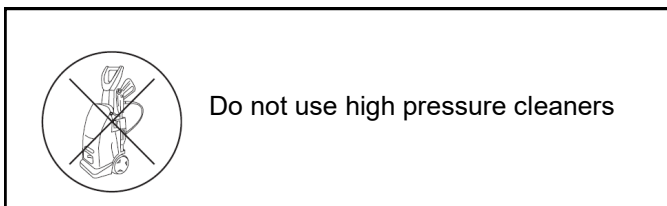
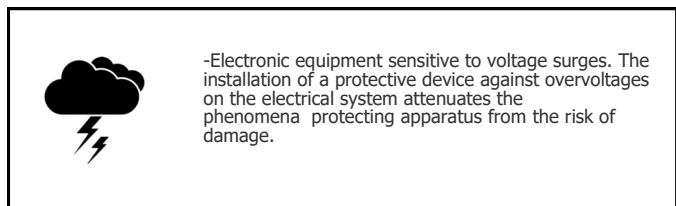
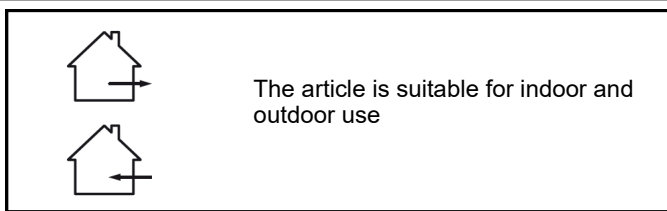
-Getting rid of as urban waste forbidden
 -Separate collection is mandatory when the product is at the end of its life



Made in Italy

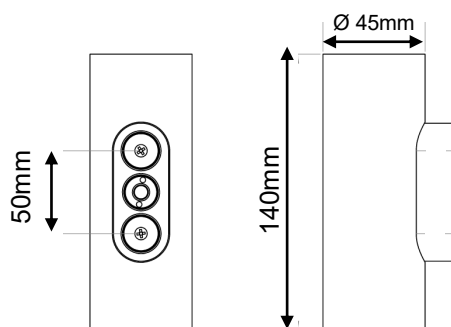
IP66

IK08



NB: These assembly instructions must be given to end users for correct maintenance and so that they know how to change the bulb. The appliance must not be tampered with or transformed and it must be installed and used as supplied and in compliance with the National Rules on Installations. Any non-compliant installations will invalidate all forms of guarantee. The company cannot be held

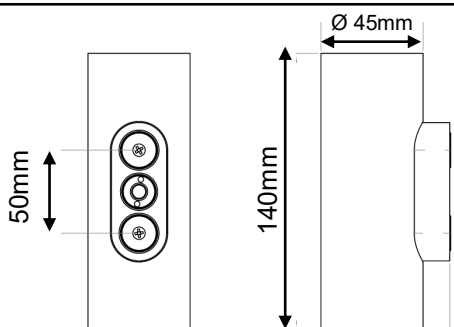
COD. 403107



NANOWALL XS ROUND 01

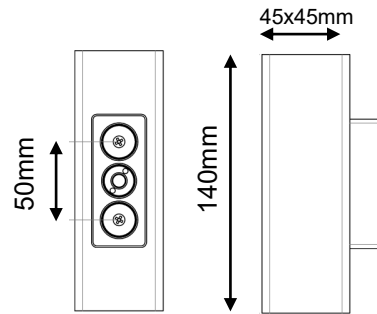
- Power consumption : @700mA 2.5W
- Current max 700mA
- Color Temperature : 3000K - 4000K
- Beam angle : 10°- 30°- 45°
- Insulation class: III
- IK rating : IK08
- IP protection: IP66
- Gross weight: 0.6kg

COD. 403108

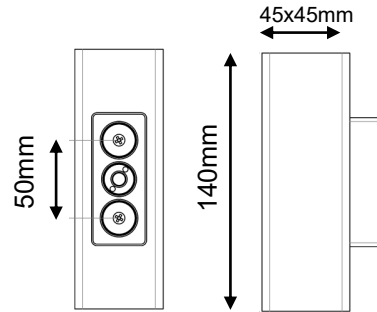


NANOWALL XS ROUND 02

- Power consumption : @700mA 2x2.5W
- Current max 700mA
- Color Temperature : 3000K - 4000K
- Beam angle : 10°- 30°- 45°
- Insulation class: III
- IK rating : IK08
- IP protection: IP66
- Gross weight: 0.6kg

COD. 403111**NANOWALL XS SQUARE 01**

- Power consumption : @700mA 2.5W
- Current max 700mA
- Color Temperature : 3000K - 4000K
- Beam angle : 10°- 30°- 45°
- Insulation class: III
- IK rating : IK08
- IP protection: IP66
- Gross weight: 0.65kg

COD. 403112**NANOWALL XS SQUARE 02**

- Power consumption : @700mA 2x2.5W
- Current max 700mA
- Color Temperature : 3000K - 4000K
- Beam angle : 10°- 30°- 45°
- Insulation class: III
- IK rating : IK08
- IP protection: IP66
- Gross weight: 0.65kg

Recommendations

- 1) verify that the equipment used to connect our devices to enjoy all the guarantees required under European law;
- 2) use the cables, connectors and quality materials for electrical wiring;
- 3) Products with IP66 degree make the wiring / connections with accessories provide the same degree IP of the selected product (available in the catalog);
- 4) In the case of installations outside is not recommended to install the power supplies in the formwork and / or in the junction box without adequate protection
- 5) Honey-comb louvre must be installed directly from the manufacturer . Please mention it during the order

Choice of installation location

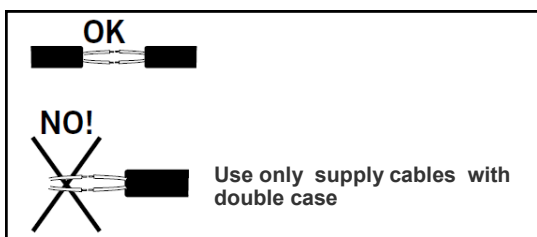
The unit should be positioned so that when in use is not subject to direct radiation from the sun or other heat sources . High temperatures reduce the life and efficiency of the components or the LED module .

Note on corrosion protection

For installation and maintenance be especially careful not to damage the coating powder . Damage combined action of water could cause corrosion.

-In the case of damage to the external flexible cable, it must be replaced by the manufacturer, or its assistance service, or equivalent qualified personnel in order to avoid dangers

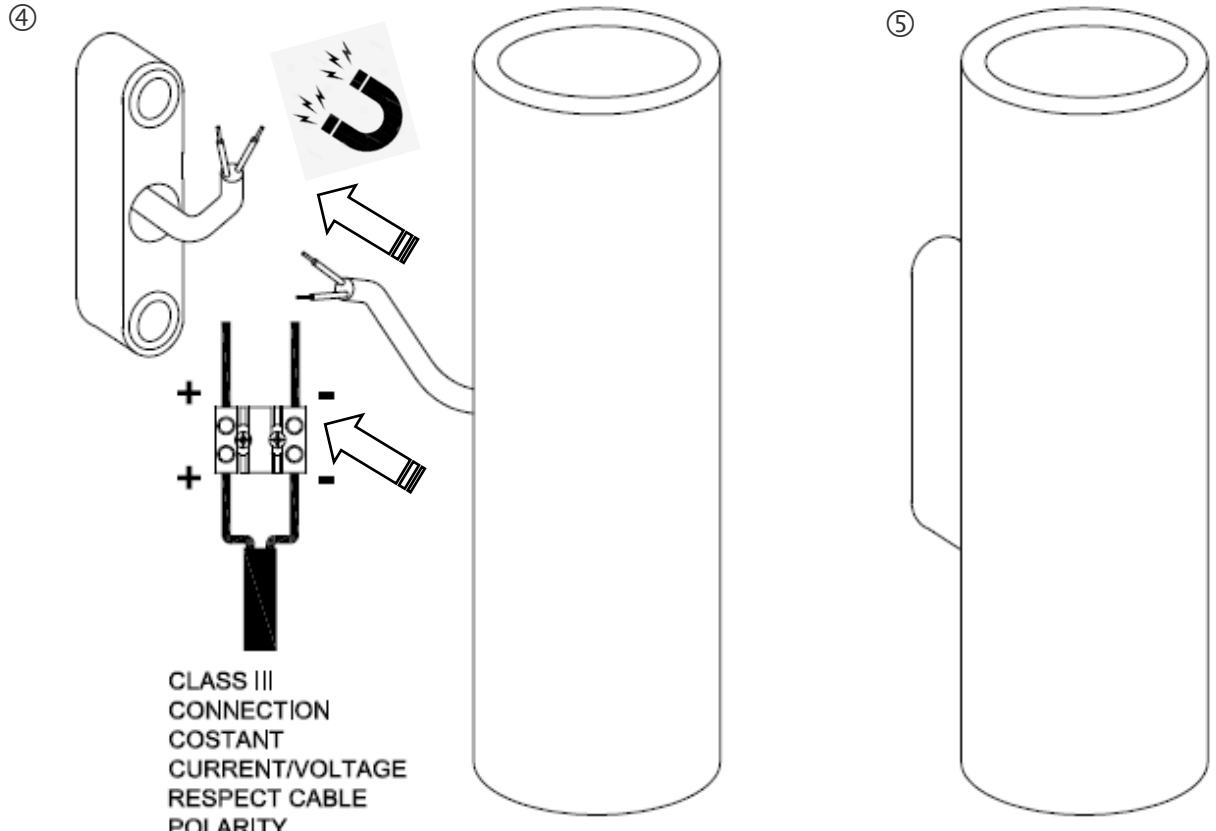
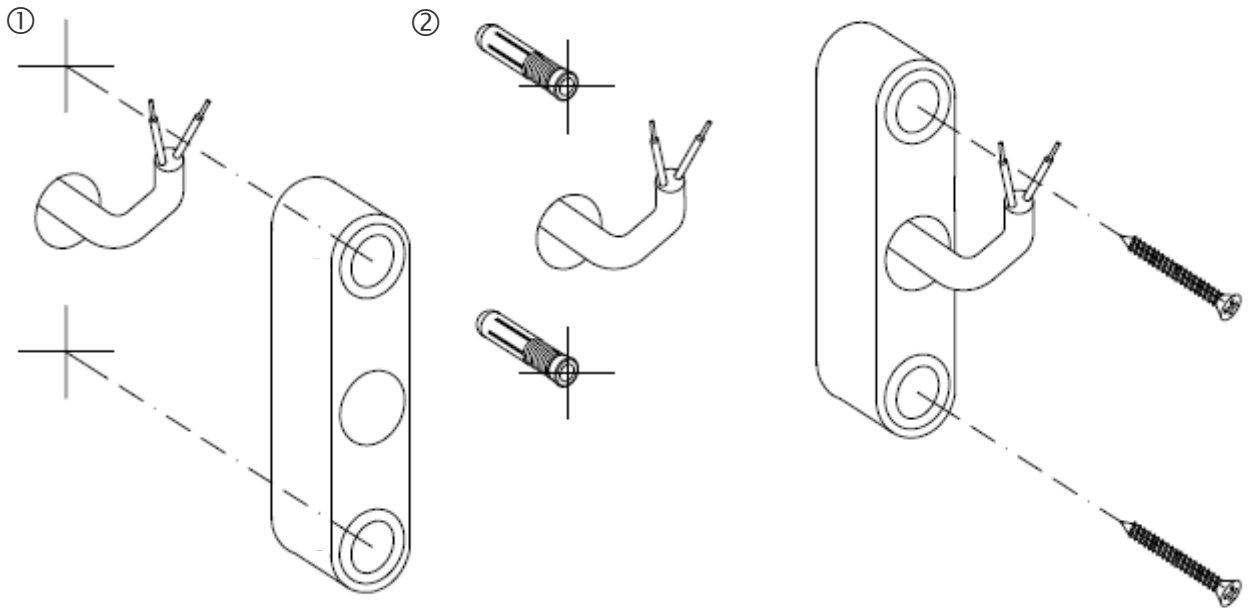
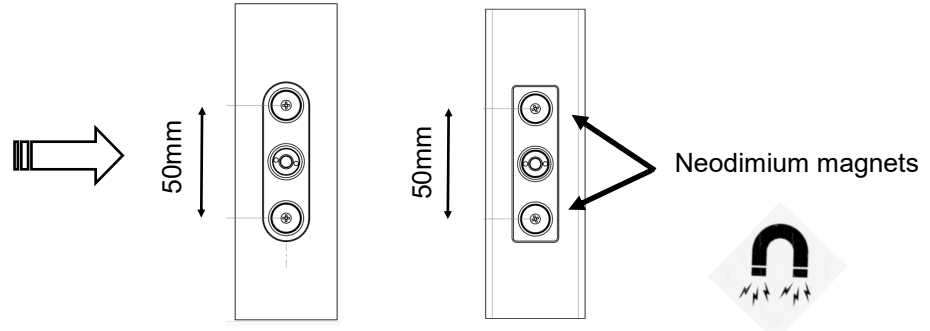
-In the case of glass breakage, contact the device manufacturer to replace it. Replace the screen with an original replacement



NANOWALL XS installation

1. Mark the drilling points on the wall using the lighting fixture base as a drilling template (also considering the feeding point in the center of fixing base)(pic.1)
2. Prepare the adequate fixing plugs (Fischer type) not included in the package(pic. 2)
3. fix the base to the wall by screwing-in the fischer screws.
4. Make the electrical connection of the lighting fixture respecting the polarity of the power cables. (pic.4)
5. Apply the lighting fixture at the base which will join together with the action of the magnets (pic. 5)

-Nanowall xxs round and square wheelbase fixing holes



CLASS III 350/500/700mA

RED (OR BROWN) WIRE + Positive

BLACK (OR BLUE) WIRE — Negative



RAEE - WEEE

- GB** Directive 2002/96/CE (Waste Electrical and Electronic Equipment - WEEE): information for users
The crossed out wheeled bin label that can be found on your product indicates that this product should not be disposed of via the normal household waste stream. To prevent possible harm to the environment or human health please separate this product from other waste streams to ensure that it can be recycled in an environmentally sound manner. For more details on available collection facilities please contact your local government office or the retailer where you purchased this product.
- I** DIRETTIVA 2002/96/CE (Rifiuti di Apparecchiature Elettriche ed Elettroniche - RAEE): informazioni agli utenti
L'etichetta con il cassonetto barrato presente sul prodotto indica che il prodotto non deve essere smaltito tramite la procedura normale di smaltimento dei rifiuti domestici. Per evitare eventuali danni all'ambiente e alla salute umana separare questo prodotto da altri rifiuti domestici in modo che possa venire riciclato in base alle procedure di rispetto ambientale. Per maggiori dettagli sui centri di raccolta disponibili, contattare l'ufficio governativo locale o il rivenditore del prodotto.
- D** Richtlinien 2002/96/EU (Elektro- und Elektronik- Altgeräte - WEEE):
Benutzerinformationen
Der Aufkleber mit durchgekrenzter Mülltonne an diesem Produkt weist darauf hin, dass dieses Produkt nicht im normalen Hausmüll entsorgt werden darf. Zur Vermeidung einer möglichen Beeinträchtigung der Umwelt oder der menschlichen Gesundheit darf dieses Produkt nicht in den Hausmüll gegeben werden, um zu gewährleisten, dass es in einer umweltverträglichen Weise recycelt wird. Wenden Sie sich für Informationen zu Entsorgungseinrichtungen an die zuständige Behörde oder das Geschäft, in dem Sie dieses Produkt erworben haben.
- F** Directive 2002/96/CE (Déchets d'équipements électriques et électroniques - DEEE):
informations aux utilisateurs
L'étiquette apposée sur ce produit et représentant une poubelle à roulettes rayée indique que le produit ne peut être mis au rebut avec les déchets domestiques normaux. Afin d'éviter d'éventuels dommages au niveau de l'environnement ou de la vie humaine, veuillez séparer ce produit des autres déchets de manière à garantir qu'il soit recyclé de manière sûre au niveau environnemental. Pour plus de détails sur les sites de collecte existants, veuillez contacter l'administration locale ou le détaillant auprès duquel vous avez acheté ce produit.
- E** Directiva 2002/96/CE (Residuos de aparatos eléctricos y electrónicos - RAEE):
Información para el usuario
La etiqueta de un contenedor tachado que hallará en su producto indica que este producto no se puede tirar con la basura doméstica normal. Para impedir posibles daños medioambientales o para la salud, separe este producto de otros canales de desecho para garantizar que se recicle de una forma segura para el medio ambiente.
Para más información sobre las instalaciones de recolección disponibles, dirijase a las autoridades locales o al punto de venta donde adquirió este producto
- SE** Directive 2002/96/CE (Waste Electrical and Electronic Equipment - WEEE) information for users

Symbolen med en överkorsad soptunna innebär att denna produkt inte får kastas i vanligt hushållsavfall. För att skydda miljön och hälsan bör denna produkt inte kastas tillsammans med vanligt hushållsavfall utan lämnas för återvinning på tillbörligt sätt. Ör mer information om uppsamlingsplatser, kontakta en lokal myndighet eller den återförsäljare som du köpte produkten från.
- NL** Richtlijn 2002/96/EG (Afgedankte Elektrische en Elektronische Apparaten - AEEA):

informatie voor de gebruikers
Op uw product is een label van een rolcontainer met een kruis erdoor aangebracht. Dit wil zeggen dat dit product niet bij het normale huishoudelijk afval mag worden gedaan. Om eventuele schade aan het milieu of de gezondheid van de mens te voorkomen moet dit product gescheiden van al het ander afval worden ingezameld, zodat het op een verantwoorde wijze kan worden verwerkt. Voor meer informatie over uw lokale afvalinzameling wendt u zich tot uw gemeente of de leverancier bij wie u dit product hebt gekocht.



This information only applies to customers in the European Union, according to Directive 2002/96/EC OF THE EUROPEAN PARLIAMENT AND OF THE COUNCIL OF 27 January 2003 on waste electrical and electronic equipment (WEEE) and legislation transposing and implementing it into the various national legal systems.

ACCESSORIES

AC055
STANDARD GLARE
SHIELD XS



AC056
SUPER COMFORT
GLARE SHIELD XS



AC066
HONEYCOMB LOUVER

