

500 mA - LED POWER 4.5W

light source	light beam options	lumen output (lm)	lumin. efficacy (lm/w)
2700°K warm-white			
high-power led	8°	378	83.75
high-power led	32°	360	80.25
high-power led	45°	350	77.75
3000°K warm-white			
high-power led	8°	387	86.25
high-power led	32°	373	82.75
high-power led	45°	360	80.25
4000°K neutral-white			
high-power led	8°	396	87.88
high-power led	32°	380	84.50
high-power led	45°	369	82.00

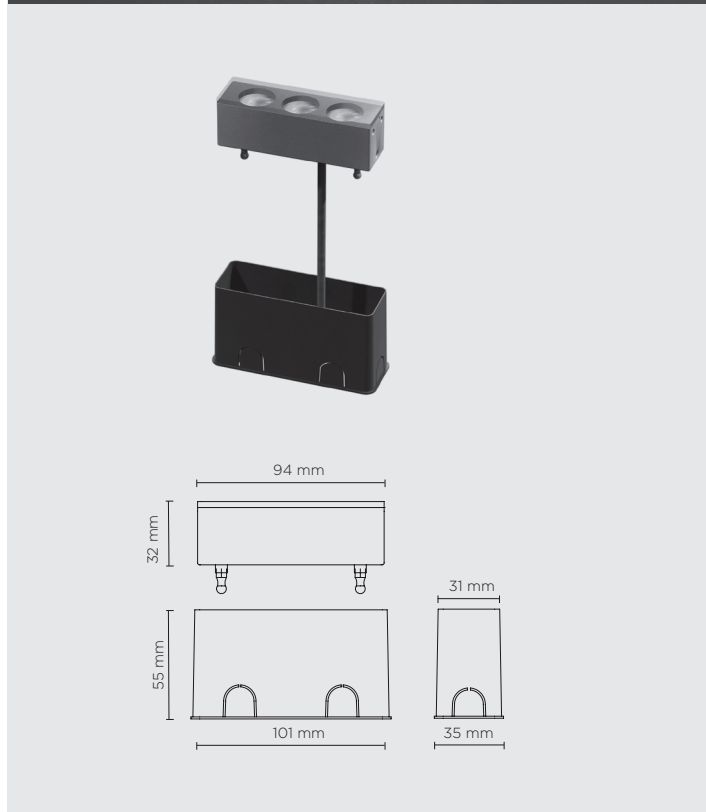
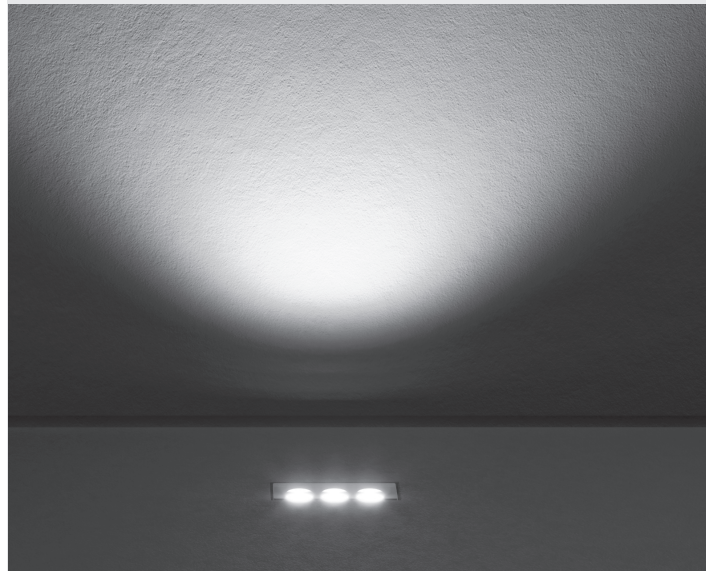
700 mA - LED POWER 6W

light source	light beam options	lumen output (lm)	lumin. efficacy (lm/w)
2700°K warm-white			
high-power led	8°	538	89.70
high-power led	32°	512	85.33
high-power led	45°	501	83.60
3000°K warm-white			
high-power led	8°	546	90.69
high-power led	32°	522	87.20
high-power led	45°	507	84.60
4000°K neutral-white			
high-power led	8°	558	93.00
high-power led	32°	534	89.00
high-power led	45°	518	86.30

209004

HYDROFLOOR NANO LINEAR TRIMLESS HP

Trimless version, all other details are same as model 209001



remote driver selection

brand	manufacturer code	type	watt	IP rate	numbers of fixtures
ALVIT Italy	AL1435S-IP	constant current 350mA	14W	IP67	min 1 - max 4
ALVIT Italy	AL1450S-IP	constant current 500mA	14W	IP67	min 1 - max 3
ALVIT Italy	AL1470S-IP	constant current 700mA	14W	IP67	min 1 - max 2
TCI Italy	152014/350	constant current 350mA	17W	IP68	min 1 - max 5
TCI Italy	152014/500	constant current 500mA	24W	IP68	min 1 - max 5
TCI Italy	152014/700	constant current 700mA	30W	IP68	min 1 - max 4