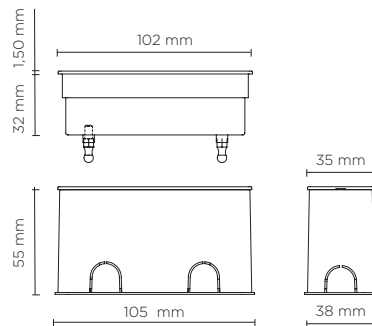





209002

# HYDROFLOOR NANO LINEAR WALL-WASHER

Linear shape ground-recessed luminaire for outdoor installation. Body in hard anodized aluminum with phosphochromatised and polyester powder coating and frontal cover in stainless steel AISI 316L, tempered safety glass. Remote constant current 500mA driver needed, with 16 x mid-power SAMSUNG 2835 LED. IP68 rating.



light source	light beam options	lumen output (lm)	lumin. efficacy (lm/w)
<b>2700°K warm-white</b>			
mid-power led	 WALL-WASHER	450	75.00
<b>3000°K warm-white</b>			
mid-power led	 WALL-WASHER	470	78.34
<b>4000°K neutral-white</b>			
mid-power led	 WALL-WASHER	490	81.67

#### Finish color options:

 Stainless Steel

#### Technical features



NEW

#### Technical data

Wattage	6 WATT
IP Rating	IP68
IK Rating	IK08
Material	Hard anodized aluminum
Trim	Stainless steel AISI 316L
Coating	Polyester powder coating with phosphochromating pre-finish
Light source	Nr. 16 x mid-power SAMSUNG 2835 LED
Screws	Stainless steel
Remote driver	Constant current max 500mA
Glass	Tempered
Power cable	1 mt. power cable included
Gross weight	0,50 Kg

