

# SINGLE/DOUBLE HYDROFLASH POLE MEGA LED

COD. 805009

COD. 805010

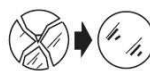
COD. 805011

COD. 805012

## ASSEMBLY AND OPERATING INSTRUCTIONS:



--Class I fitting electric grounding is needed



-replace the damaged protective glass

-glass features: plane float glass - safety tempered



-getting rid of as urban waste forbidden  
-separate collection is mandatory when the product is at the end of its life

**IP65**

-Complete protection from dust and water jets



Made in Italy



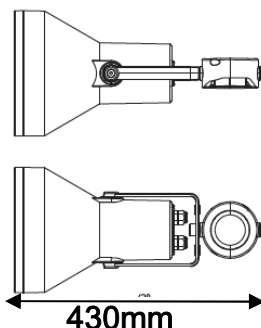
GB Retain the instructions.  
I Conservare le istruzioni.  
D Retain the instructions.  
F Bewahren Sie die Anleitung.  
E Conservez ces instructions.

NB: These assembly instructions must be given to end users for correct maintenance and so that they know how to change the bulb. The appliance must not be tampered with or transformed and it must be installed and used as supplied and in compliance with the National Rules on Installations. Any non-compliant installations will invalidate all forms of guarantee. The company cannot be held responsible for damage caused by incorrect assembly.

**COD. 805009**



Ø 248mm



430mm

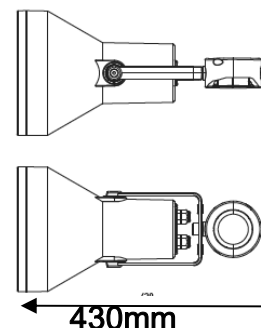
### SINGLE HYDROFLASH POLE MEGA LED

- Power consumption : 12W
- Voltage :220-240V 50-60Hz
- Color Temperature : 3000K 4000K
- Lens Type : 10° 30° 45°
- Insulation class: I
- IP protection: IP65
- Gross weight: 4kg

**COD. 805010**



Ø 248mm



430mm

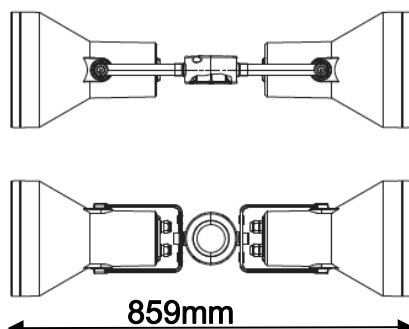
### SINGLE HYDROFLASH POLE MEGA COB LED

- Power consumption : 36W
- Voltage :220-240V 50-60Hz
- Color Temperature : 3000K
- Lens Type : 35°
- Insulation class: I
- IP protection: IP65
- Gross weight: 3kg

**COD. 805011**



Ø 248mm

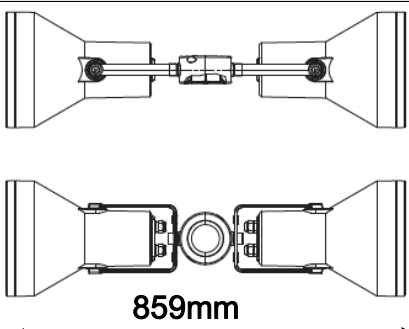


859mm

### DOUBLE HYDROFLASH POLE MEGA LED

- Power consumption : 2X8W
- Voltage :220-240V 50-60Hz
- Color Temperature : 3000K 4000K
- Lens Type : 10° 30° 45°
- Insulation class: I
- IP protection: IP65
- Gross weight: 5.6kg

**COD. 805012**

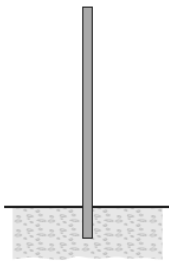


859mm

### DOUBLE HYDROFLASH POLE MEGA COB LED

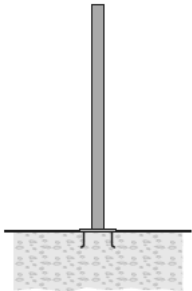
- Power consumption : 2X18W
- Voltage :220-240V 50-60Hz
- Color Temperature : 3000K
- Lens Type : 35°
- Insulation class: I
- IP protection: IP65
- Gross weight: 5.6kg

### BURIED POLES



CODE	ARTICLE	HEIGHT MM.	DESCRIPTION
809901	CYLINDRICAL POLE 3,5 METERS TO BE BURIED	3.500	Cylindrical pole made in steel S235JR (UNI EN 10219) hot galvanized (UNI EN 1461), diameter 76 mm, thickness 4 mm. Phospho-chromatised and polyester powder coated. Total height including 500 mm to be buried into the ground. Includes IP54 cover plate 132x38 mm and terminal block in double insulation.
809902	CYLINDRICAL POLE 4,5 METERS TO BE BURIED	4.500	
809903	CYLINDRICAL POLE 5,5 METERS TO BE BURIED	5.500	
809908	ADAPTER DIAM. 76MM → 60MM		Adapter for pole diam. 76 mm, allow the diameter reduction to 60 mm

### POLES WITH BASE-PLATE



CODE	ARTICLE	HEIGHT MM.	DESCRIPTION
809904	CYLINDRICAL POLE 3 METERS WITH BASE-PLATE	3.000	Cylindrical pole made in steel S235JR (UNI EN 10219) hot galvanized (UNI EN 1461), diameter 76 mm, thickness 4 mm. Phospho-chromatised and polyester powder coated. With base plate dim. 250x250 mm, thickness 10 mm Includes IP54 cover plate 132x38 mm and terminal block in double insulation.
809905	CYLINDRICAL POLE 4 METERS WITH BASE-PLATE	4.000	
809906	CYLINDRICAL POLE 5 METERS WITH BASE-PLATE	5.000	
809907	ANCHORAGE UNIT FOR BASE-PLATE		Base plate dim. 250x250 mm, thickness 3 mm, made in galvanized steel complete of nr. 4 anchorage threaded bolts
809908	ADAPTER DIAM. 76MM → 60MM		Adapter for pole diam. 76 mm, allow the diameter reduction to 60 mm



Do not use water high pressure clean-



Caution! Risk of electric shock

### Recommendations

- 1) verify that the equipment used to connect our devices to enjoy all the guarantees required under European law;
- 2) use the cables, connectors and quality materials for electrical wiring;
- 3) Products with IP65/68 degree make the wiring / connections with accessories provide the same degree IP of the selected product (available in the catalog);
- 4) In the case of installations outside is not recommended to install the power supplies in the formwork and / or in the junction box without adequate protection.
- 5) If the gaskets are damaged, deformed or not in perfect conditions it is necessary to change it
- 6) It is essential to do a frequent cleaning of the glass and of the outer surface of the fixture to avoid build up of mud and dirtiness resulting in dangerous overheating due to uncorrect light and heat dissipation. Clean carefully the glass screen removing limestone deposits by means of a scraper.
- 7) The Led module contained in this luminaire shall only be replaced by the manufacturer. For further information contact the supplier.
- 8) Risk group 1 at the minimum distance of 1.39m (EN62471:2010-01)
- 9) All parts of products in contact with soil (post bases etc.) must not be covered by soil or must not be in contact with aggressive chemical elements (fertilizers, herbicides, lime) Clean periodically parts near ground in order to remove possible soil heap on bases or screws heads

### General maintenance

A scheduled maintenance programme must be carried out on the installation and the fittings regardless of their IP rating or application – these must include the following operations:

clean the fittings from dirt that may be deposited on the protection grills and in the heads of the screws by following the installation instructions attached to each fitting. Check that the screws are not loose on the various components of the luminaire (glass frame, cable entry, ...).

Check each cable gland, and cable for damage and that the cable gland has not come loose.

For each isolation Class 1 fitting check that the earth cable has not come loose. The clip must not show signs of oxidation, damage come loose.

For class 2 fittings check any eventual plastic / isolating covering in order to verify any damage.

Check that all the seals are in good condition and that they are not dry, damaged or split.

Check the glass or plastic screen for damage and replace if required.

Check for water inside the luminaire's housing and its recessing box.

The internal components such as the ballasts, transformers, washers and screws must not show clear signs of oxidation or rust. Clear traces of rust and oxidation will indicate the presence of water inside the luminaire.

In case of damage the components must be replaced by original components and spare parts before using the fitting.

We also recommend to check the fitting each time the lamp is replaced or at least once a year or within the prescribed maintenance schedule period depending on the type of installation.

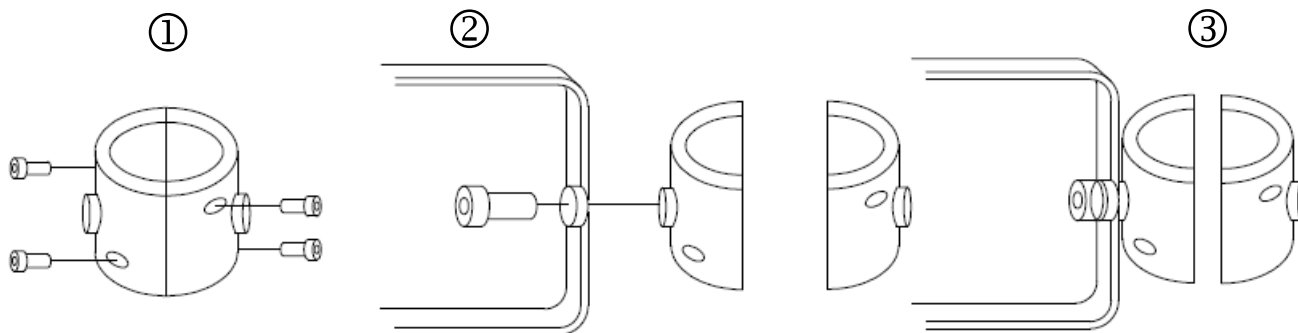
-Use only flexible cables of suitable diameter according to the national installation standards. DO NOT USE HARD CABLES OR ARMoured CABLES. Use only supply cables with double case. Do not enter with single cables.

## INSTALLATION

- 1- loosen the 4 screws of the luminaire joint by using the hexagonal tool (pic1)
- 2- Fix the luminaire bracket to the half joint (pic2)
- 3- Tighten the screw of luminaire bracket to the joint (pic3)
- 4- place the luminaire to the pole and tighten 4 screws (pic4)
- 5- For the poles with a diameter of 76 use the accessory of reduction from 76mm to 60mm
- 6- Make the regulation and then tighten all screws
- 7- The electrical connection run in the external way to the pole

**For the electrical connection of the pole connectors follow the general safety rules. Is a class 1 must be connected to the grounding**

-for the double version follow the same way using two luminaires



④

