

HYDROCITY 02

COD. 802003

COD. 802006

COD. 802004

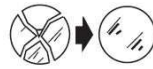
COD. 802007

COD. 802005

ASSEMBLY AND OPERATING INSTRUCTIONS:



-class I luminaire with built-in transformer 220-240V 50-60Hz
-apparecchio in classe I con trasformatore incorporato a 220-240V 50-60Hz



-replace the damaged protective glass
-sostituire i vetri di protezione se danneggiati
-glass features: plane float glass - safety tempered
-caratteristiche vetro: vetro piano float di sicurezza temperato



-getting rid of as urban waste forbidden
-separate collection is mandatory when the product is at the end of its life
-è vietato lo smaltimento come rifiuto urbano
-è obbligatoria la raccolta separata a fine vita del prodotto

IP66

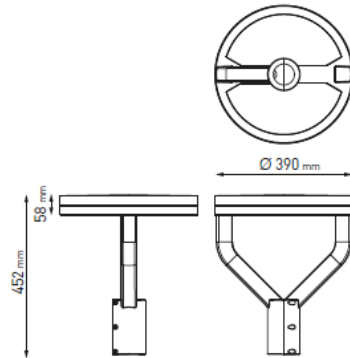
-totally dust-proof , protected against the water
-totalmente protetto contro la polvere , e all'acqua



Made in Italy

NB: These assembly instructions must be given to end users for correct maintenance and so that they know how to change the bulb. The appliance must not be tampered with or transformed and it must be installed and used as supplied and in compliance with the National Rules on Installations. Any non-compliant installations will invalidate all forms of guarantee. The company cannot be held responsible for damage caused by incorrect assembly.

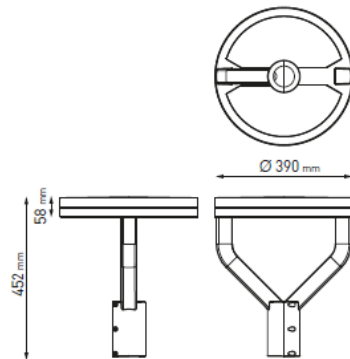
COD. 802003



HYDROCITY 02 -12 +0

-Power consumption : 18W
-Voltage :220-240V 50-60Hz
-Color Temperature : 3000K WARM WHITE or other available 4000K or Blue
-Beam angle : Rotosymmetrical
Cycle route pedestrian
Street
-Lumen output : 1.768Lm
-Insulation class: I
-IP protection: IP66
-Gross weight: 6.3kg

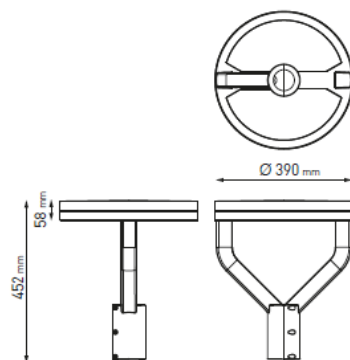
COD. 802004



HYDROCITY 02 -12+12

-Power consumption : 36W
-Voltage :220-240V 50-60Hz
-Color Temperature : 3000K WARM WHITE or other available 4000K or Blue
-Beam angle : Rotosymmetrical
Cycle route pedestrian
Street
-Lumen output : 3.456Lm
-Insulation class: I
-IP protection: IP66
-Gross weight: 5.8kg

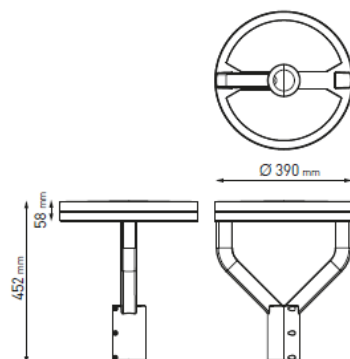
COD. 802005



HYDROCITY 02 -12+12

-Power consumption : 36W
-Voltage :220-240V 50-60Hz
-Color Temperature : 3000K WARM WHITE or other available 4000K or Blue
-Beam angle : Rotosymmetrical
Cycle route pedestrian
Street
-Lumen output : 3.456Lm
-Insulation class: I
-IP protection: IP66
-Gross weight: 5.8kg

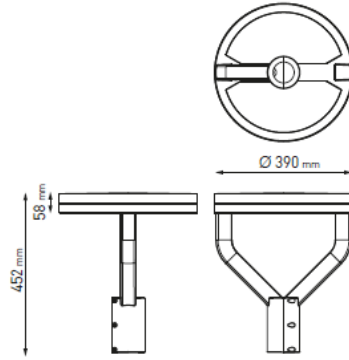
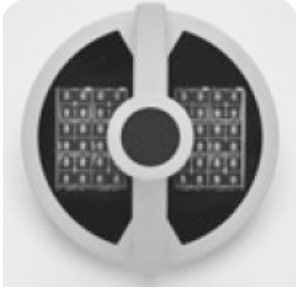
COD. 802006



HYDROCITY 02 -24+12

-Power consumption : 54W
-Voltage :220-240V 50-60Hz
-Color Temperature : 3000K WARM WHITE or other available 4000K or Blue
-Beam angle : Rotosymmetrical
Cycle route pedestrian
Street
-Lumen output : 5.184Lm
-Insulation class: I
-IP protection: IP66
-Gross weight: 5.8kg

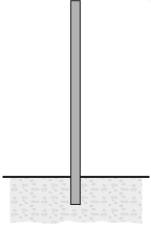
COD. 802007



HYDROCITY 02 -24 +24

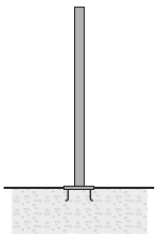
- Power consumption : 72W
- Voltage :220-240V 50-60Hz
- Color Temperature : 3000K WARM WHITE or other available 4000K or Blue
- Beam angle : Rotosymmetrical
- Cycle route pedestrian
- Street
- Lumen output : 6.912Lm
- Insulation class: I
- IP protection: IP66
- Gross weight: 6.3kg

BURIED POLES



CODE	ARTICLE	HEIGHT MM.	DESCRIPTION
809901	CYLINDRICAL POLE 3,5 METERS TO BE BURIED	3.500	Cylindrical pole made in steel S235JR (UNI EN 10219) hot galvanized (UNI EN 1461), diameter 76 mm, thickness 4 mm. Phospho-chromatised and polyester powder coated.
809902	CYLINDRICAL POLE 4,5 METERS TO BE BURIED	4.500	Total height including 500 mm to be buried into the ground.
809903	CYLINDRICAL POLE 5,5 METERS TO BE BURIED	5.500	Includes IP54 cover plate 132x38 mm and terminal block in double insulation.
809908	ADAPTER DIAM. 76MM → 60MM		Adapter for pole diam. 76 mm, allow the diameter reduction to 60 mm

POLES WITH BASE-PLATE



CODE	ARTICLE	HEIGHT MM.	DESCRIPTION
809904	CYLINDRICAL POLE 3 METERS WITH BASE-PLATE	3.000	Cylindrical pole made in steel S235JR (UNI EN 10219) hot galvanized (UNI EN 1461), diameter 76 mm, thickness 4 mm. Phospho-chromatised and polyester powder coated.
809905	CYLINDRICAL POLE 4 METERS WITH BASE-PLATE	4.000	With base plate dim. 250x250 mm, thickness 10 mm
809906	CYLINDRICAL POLE 5 METERS WITH BASE-PLATE	5.000	Includes IP54 cover plate 132x38 mm and terminal block in double insulation.
809907	ANCHORAGE UNIT FOR BASE-PLATE		Base plate dim. 250x250 mm, thickness 3 mm, made in galvanized steel complete of nr. 4 anchorage threaded bolts
809908	ADAPTER DIAM. 76MM → 60MM		Adapter for pole diam. 76 mm, allow the diameter reduction to 60 mm

Installation:

CAUTION: Possibly hazardous optical radiation emitted from this product. Do not stare at operating lamp. May be harmful to the eye. The replacement must be done by a qualified electrician.

Recommendations

- 1) verify that the equipment used to connect our devices to enjoy all the guarantees required under European law
- 2) use the cables, connectors and quality materials for electrical wiring;
- 3) Products with IP65/68 degree make the wiring / connections with accessories provide the same degree IP of the selected product (available in the catalog);
- 4) Disconnect main voltage during installation and maintenance
- 5) It is essential to do a frequent cleaning of the glass and of the outer surface of the fixture to avoid build up of mud and dirtiness resulting in dangerous overheating due to uncorrect light and heat dissipation. Clean carefully the glass screen removing limestone deposits by means of a scraper.

Disconnect main voltage during installation and maintenance

- 1) loosen the 6 screws that fix the luminaire cylinder by using the hexagonal key tool (pic1)
- 2) insert the cable and then the luminaire directly to pole top (pic2)
- 3) tighten the 6 screws of the fixing cylinder verifying the correct positioning (pic3)
- 4) for the poles with a diameter of 76mm use the accessory of reduction from 76mm to 60mm (pic4)
- 5) For electrical connection of the pole connectors follow the general safety rules. Is a Class 1 must be connected to the grounding

