

# HYDROTECH MEDIUM STEEL ROUND 01-02 LED

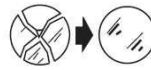
COD. 401903

COD. 401904

## ASSEMBLY AND OPERATING INSTRUCTIONS:



--Class I fitting electric grounding is needed



-replace the damaged protective glass

-glass features: plane float glass - safety tempered



-getting rid of as urban waste forbidden  
-separate collection is mandatory when the product is at the end of its life

**IP65**

-Complete protection from dust and water jets



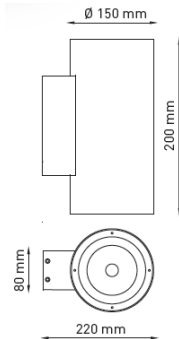
Made in Italy **IK 07**



GB Retain the instructions.  
I Conservare le istruzioni.  
D Retain the instructions.  
F Bewahren Sie die Anleitung.  
E Conservez ces instructions.

**NB:** These assembly instructions must be given to end users for correct maintenance and so that they know how to change the bulb. The appliance must not be tampered with or transformed and it must be installed and used as supplied and in compliance with the National Rules on Installations. Any non-compliant installations will invalidate all forms of guarantee. The company cannot be held responsible for damage caused by incorrect assembly.

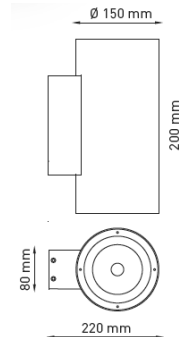
**COD. 401903**



### HYDROTECH MEDIUM STEEL ROUND 01 LED

-Power consumption : 12W  
-Voltage :220-240V 50-60Hz  
-Color Temperature : 3000K  
-Lens Type : 30°  
-Insulation class: I  
-IP protection: IP65  
-Gross weight: 4.9kg

**COD. 401904**



### HYDROTECH MEDIUM STEEL ROUND 02 LED

-Power consumption : 2X12W  
-Voltage :220-240V 50-60Hz  
-Color Temperature : 3000K  
-Lens Type : 2X30°  
-Insulation class: I  
-IP protection: IP65  
-Gross weight: 5kg

### THE WARRANTY IS FALLING IN THE FOLLOWING CASES:

- 1) Malfunctions due to improper use of the product, modifications, repairs inadequate, negligence on the part of the installer / electrician, failure to assembly instructions and / or data plate;
- 2) Installations in plants not comply with the general safety;
- 3) Damage caused by natural causes such as lightning, fire or flooding;
- 4) Damage caused by wiring / connections with IP degree lower than the selected product.
- 5) Damage occurring during shipment of the product. In these cases the damage will be to charge and notify the carrier;
- 6) The warranty covers only the integrity of the product and NOT any costs of removal of the same;

## Recommendations

- 1) verify that the equipment used to connect our devices to enjoy all the guarantees required under European law;
- 2) use the cables, connectors and quality materials for electrical wiring;
- 3) Products with IP65/68 degree make the wiring / connections with accessories provide the same degree IP of the selected product (available in the catalog);
- 4) In the case of installations outside is not recommended to install the power supplies in the formwork and / or in the junction box without adequate protection

## Choice of installation location

The unit should be positioned so that when in use is not subject to direct radiation from the sun or other heat sources . High temperatures reduce the life and efficiency of the components or the LED module .

## Relamping and maintenance:

-The relamping must be done with maximum attention avoiding to dirty the sealing gasket and its contact surface. It is therefore necessary before

opening the fixture to carefully wipe the floodlight then unscrew the round frame by the proper key

-If the gasket is damaged, deformed or not in perfect conditions it is necessary to change it

-it is essential to do a frequent cleaning of the glass and of the outer surface of the fixture to avoid build up of mud and dirtiness resulting in dangerous

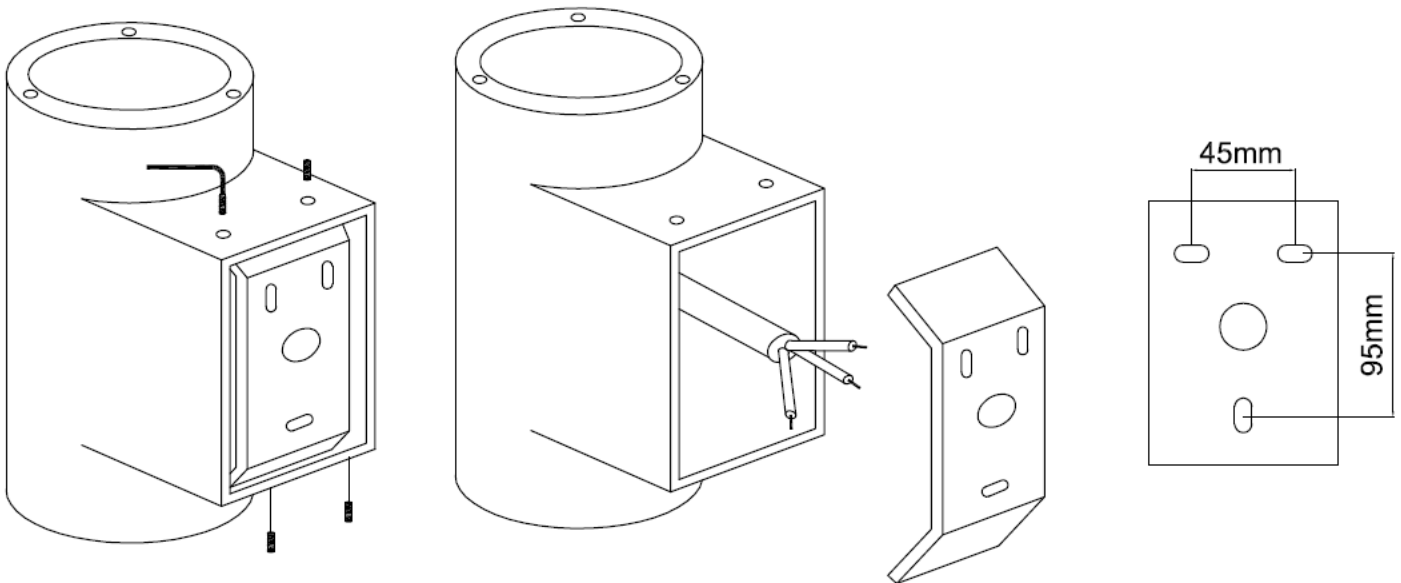
overheating due to uncorrect light and heat dissipation. Clean carefully the glass screen removing limestone deposits by means of a scraper.

**.The replacement must be done by a qualified electrician.**

## INSTALLATION:

### -SWITCH-OFF THE POWER SUPPLY BEFORE CARRYING OUT ANY MAINTENANCE OPERATION

- 1 Remove the fixing plate by unscrewing the four screws using the tool included in the package
- 2 Prepare holes in the wall using plugs type ficher (included in the package) in correspondance to the feeding point
- 3 Place the fixing plate to the wall by tighten the fixing plugs screws
- 4 Make the electrical connection to the terminal
- 5 Place the luminaire by tighten four fixing screws using the tool included in the package



## CABLE CONNECTION

