

# HYDROLASER MEDIUM - MAXI LED

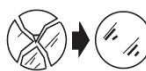
COD 108003

COD 108004

## ASSEMBLY AND OPERATING INSTRUCTIONS:



-class I luminaire with built-in transformer 220-240V 50-60Hz  
-apparecchio in classe 1 con trasformatore incorporato a 220-240V 50-60Hz  
-Leuchten Klasse 1 mit internen Transformator 220-240V 50-60Hz  
-Classe 1 luminaire avec transformateur intégré 220V-240V 50-60Hz



-replace the damaged protective glass  
-sostituire i vetri di protezione se danneggiati  
-die Beschädigten Schutzgläser ersetzen  
-remplacer les verres de protection abimés  
-glass features: plane float glass - safety tempered  
-caratteristiche vetro: vetro piano float di sicurezza temperato  
-Glaseigenschaften: Float-Flachglas, gehärtetes Sicherheitsglas  
-caractéristiques du verre: type de verre: plan" float" de sûreté trempé



-getting rid of as urban waste forbidden  
-separate collection is mandatory when the product is at the end of its life

-è vietato lo smaltimento come rifiuto urbano  
-è obbligatoria la raccolta separata a fine vita del prodotto

-Das Entsorgen im Hausmüll ist verboten!  
-Bei Ablauf der Lebensdauer bitte beachten:  
-Abfalltrennung ist Pflicht

-il est interdit l'élimination comme ordure urbaine  
-le ramassage séparé est obligatoire lorsque le produit est à la fin de sa vie

IP66



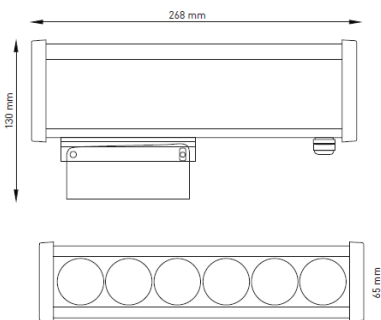
Made in Italy

-totally dust-proof , protected against the water jets  
-totalmente protetto contro la polvere , e ai getti d'acqua  
-Absolut staubdicht auf die Strahlwasser geschützt  
-totalment protégé contre la poussière protégé pour les jets d'eau

**NB: These assembly instructions must be given to end users for correct maintenance and so that they know how to change the bulb. The appliance must not be tampered with or transformed and it must be installed and used as supplied and in compliance with the National Rules on Installations. Any non-compliant installations will invalidate all forms of guarantee. The company cannot be held responsible for damage caused by incorrect assembly.**

**NOTA BENE: Le presenti istruzioni di montaggio devono obbligatoriamente essere consegnate all'utente finale affinché conosca le corrette modalità di manutenzione e ricambio lampada. È vietata qualsiasi manomissione e/o trasformazione dell'apparecchio che deve essere installato e utilizzato: così come fornito e in conformità alle Norme Impianti Nazionali. Installazioni non conformi fanno decadere ogni forma di garanzia, l'Azienda non risponde dei danni causati da un errato montaggio.**

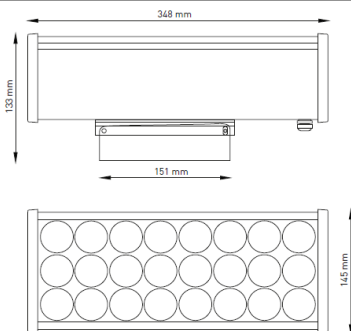
COD. 108003



**HYDROLASER MEDIUM LED**

-Power consumption : 18W  
-Voltage : 220-240Vac 50-60Hz  
-Color Temperature : 3000K  
-Beam angle : 5°  
-Lumen output 1200Lm  
-Insulation class: I  
-IP protection: IP66  
-Gross weight: 1.7kg

COD. 108004



**HYDROLASER MAXI LED**

-Power consumption : 55W  
-Voltage : 220-240 Vac 50-60Hz  
-Color Temperature : 3000K  
-Beam angle : 5°  
-Lumen output 4800Lm  
-Insulation class: I  
-IP protection: IP66  
-Gross weight: 4.6kg

### Installation:

**CAUTION: Possibly hazardous optical radiation emitted from this product. Do not stare at operating lamp. May be harmful to the eye. The replacement must be done by a qualified electrician.**

### Recommendations

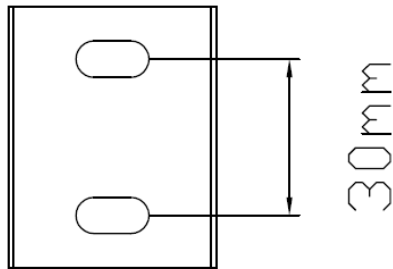
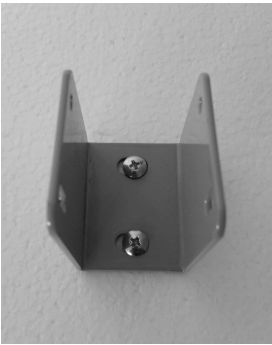
- 1) verify that the equipment used to connect our devices to enjoy all the guarantees required under European law;
- 2) use the cables, connectors and quality materials for electrical wiring;
- 3) Products with IP65/68 degree make the wiring / connections with accessories provide the same degree IP of the selected product (available in the catalog);
- 4) Disconnect main voltage during installation and maintenance
- 5) It is essential to do a frequent cleaning of the glass and of the outer surface of the fixture to avoid build up of mud and dirtiness resulting in dangerous overheating due to uncorrect light and heat dissipation. Clean carefully the glass screen removing limestone deposits by means of a scraper.

# INSTALLATION

- 1 drill holes in the floor using dowels (fischer type) not included in the package. The position of the luminaire must be close to the wall of the building
- 2 tighten 4 screws using the tool included in the package.
- 3 making the electrical connection to the line respecting L -N -PE
- 4 turn on the luminaire and then making the correct inclination adjustment by unscrewing two rear screws (like picture)
- 5 when the inclination is correct tighten the screws

## HYDROLASER MEDIUM LED

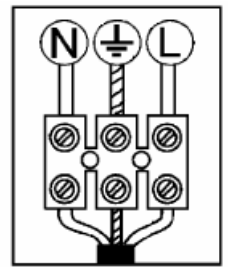
1



2



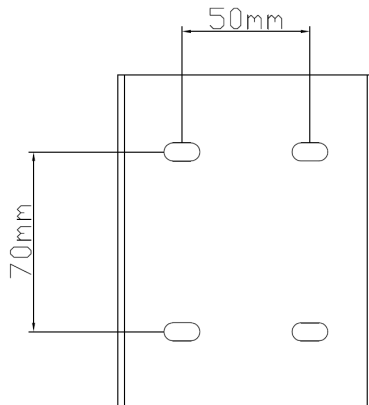
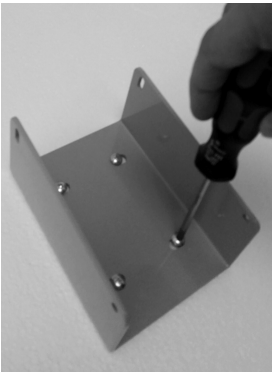
3



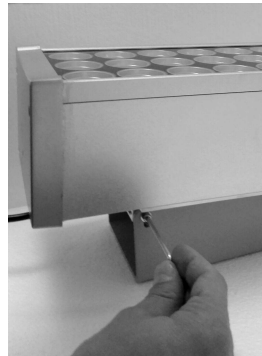
giallo/verde  
yellow/green

## HYDROLASER MAXI LED

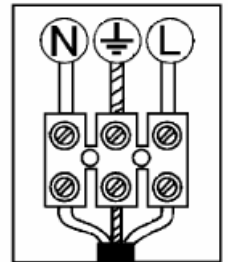
1



2



3



giallo/verde  
yellow/green

