

# QUBO MINI MEDIUM MAXI DMX RGBW

-COD. 101605 RGBW

-COD. 101606 RGBW

-COD. 101607 RGBW

## ASSEMBLY AND OPERATING INSTRUCTIONS:



-Class I fitting electric grounding is needed  
-COD 101606 101607 RGBW



protection class III  
products that can only be operated with protected extra-low voltage  
-COD 101605 RGBW



-Getting rid of as urban waste forbidden  
-Separate collection is mandatory when the product is at the end of its life



-Replace the damaged protective glass



Made in Italy

IP66

IK10

Retain the instructions

The article is suitable for indoor and outdoor use

-Electronic equipment sensitive to voltage surges. The installation of a protective device against over-voltages on the electrical system attenuates the phenomena protecting apparatus from the risk of damage.

Do not use high pressure cleaners

NB: These assembly instructions must be given to end users for correct maintenance and so that they know how to change the bulb. The appliance must not be tampered with or transformed and it must be installed and used as supplied and in compliance with the National Rules on Installations. Any non-compliant installations will invalidate all forms of guarantee. The company cannot be held

**COD. 101605 RGBW**

Technical drawings show dimensions: 100 mm width, 100 mm height, 14.5 mm depth, and 25 mm mounting bracket width.

**QUBO MINI DMX RGBW**  
 -Power consumption : 4.5W  
 -Voltage : 24vdc  
 -Color Temperature : RGBW  
 -Beam angle : 12°-25°-35°  
 -Insulation class: III  
 -IK rating : IK10  
 -IP protection: IP66  
 -Gross weight: 1.5kg

**COD. 101606 RGBW**

Technical drawings show dimensions: 140 mm width, 140 mm height, 200 mm depth, and 35 mm mounting bracket width.

**QUBO MEDIUM DMX RGBW**  
 -Power consumption : 14W  
 -Voltage : 220-240V 50-60Hz  
 -Color Temperature : RGBW  
 -Beam angle : 12°-25°-35°  
 -Insulation class: I  
 -IK rating : IK10  
 -IP protection: IP66  
 -Gross weight: 3.1kg

**COD. 101607 RGBW**

Technical drawings show dimensions: 170 mm width, 170 mm height, 230 mm depth, and 35 mm mounting bracket width.

**QUBO MAXI DMW RGBW**  
 -Power consumption : 28W  
 -Voltage : 220-240V 50-60Hz  
 -Color Temperature : RGBW  
 -Beam angle : 12°-25°-35°  
 -Insulation class: I  
 -IK rating : IK10  
 -IP protection: IP66  
 -Gross weight: 4.5kg

**Recommendations**

- 1) verify that the equipment used to connect our devices to enjoy all the guarantees required under European law;
- 2) use the cables, connectors and quality materials for electrical wiring;
- 3) Products with IP66 degree make the wiring / connections with accessories provide the same degree IP of the selected product (available in the catalog);
- 4) In the case of installations outside is not recommended to install the power supplies in the formwork and / or in the junction box without adequate protection
- 5) Honey-comb louvre must be installed directly from the manufacturer . Please mention it during the order

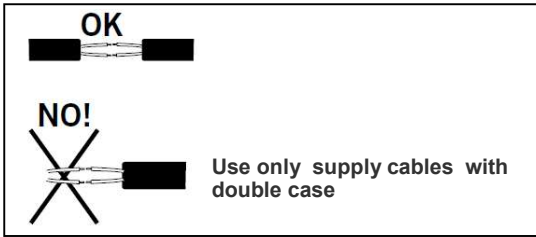
**Choice of installation location**

The unit should be positioned so that when in use is not subject to direct radiation from the sun or other heat sources . High temperatures reduce the life and efficiency of the components or the LED module .

**Note on corrosion protection**

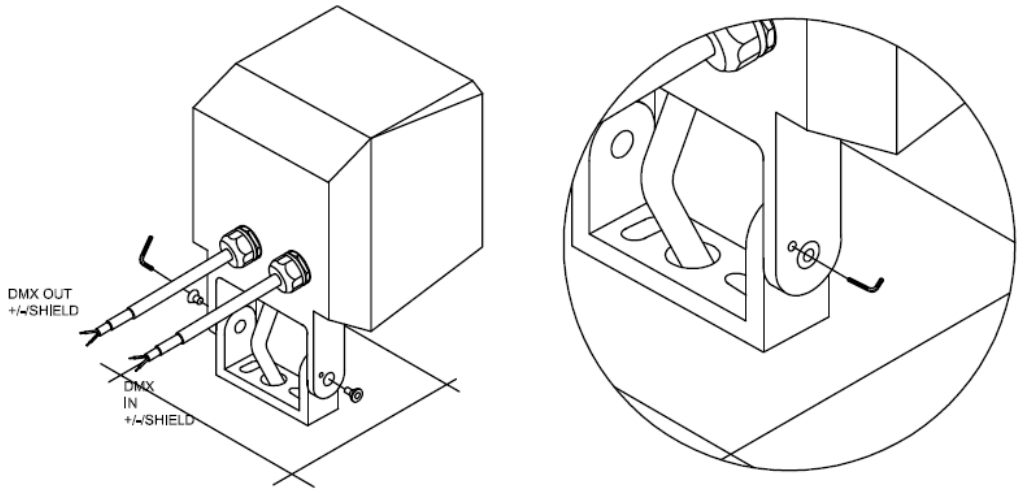
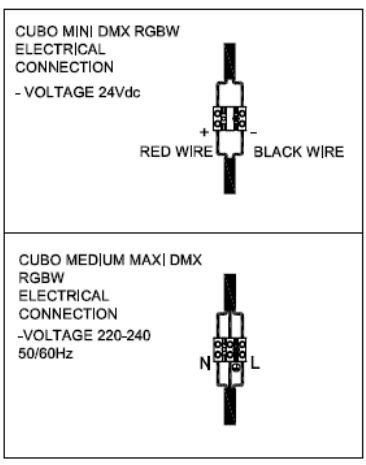
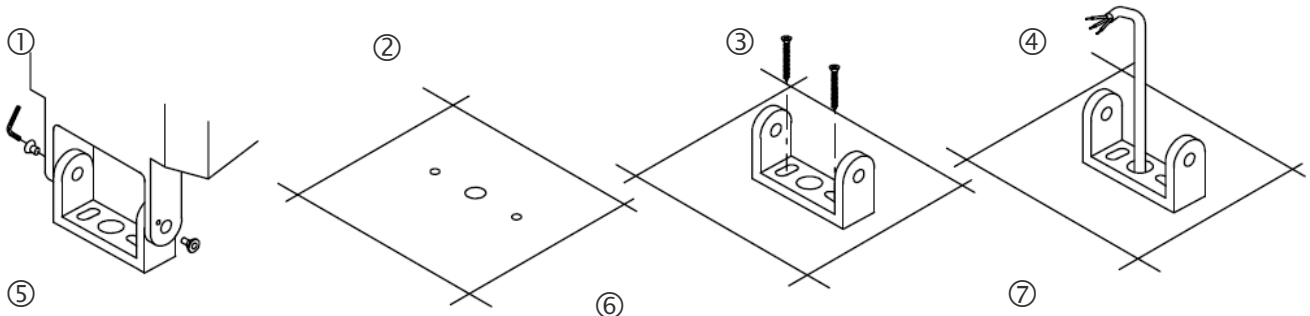
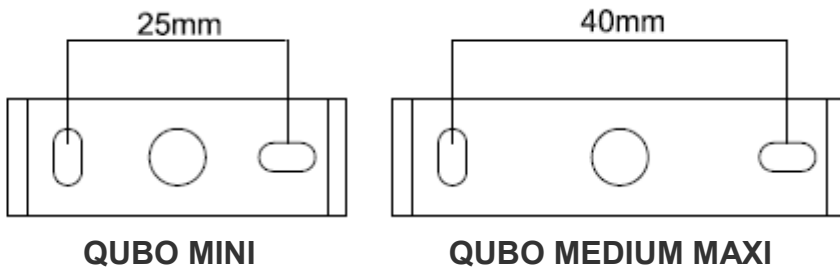
For installation and maintenance be especially careful not to damage the coating powder . Damage combined action of water could cause corrosion.

-In the case of damage to the external flexible cable, it must be replaced by the manufacturer, or its assistance service, or equivalent qualified personnel in order to avoid dangers

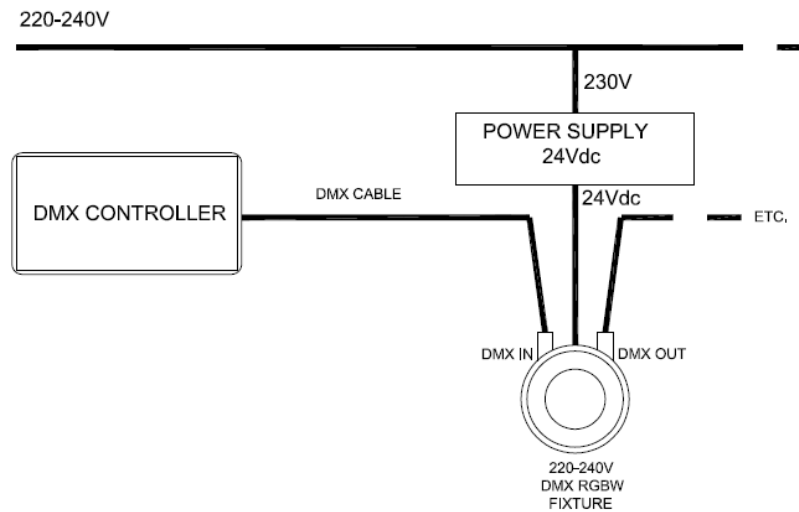


Installation:

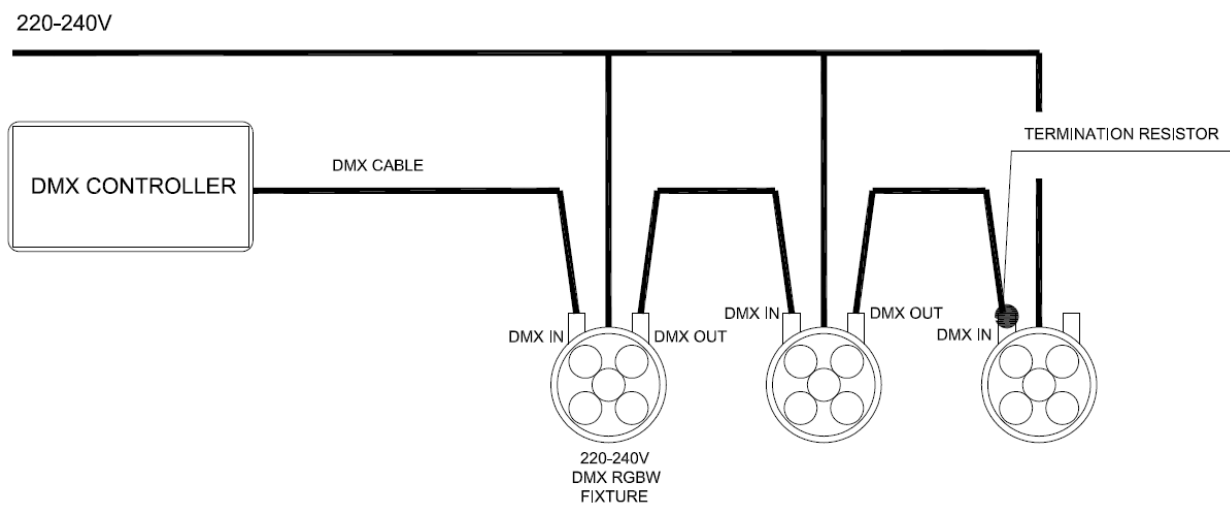
1. Loose the two bracket screws (using the tool included in the package) and remove the fixing bracket pic.1
2. Prepare holes in corispondance of the feeding point pic. 2
3. Fix the bracket to the floor tighten the screws of fischer plugs (not included in the package) pic. 3
4. Prepare the cable through the feeding point hole pic4
5. Make the adequate electrical connection following the cable diagrams of the next pages
6. Fix the luminaire to the bracket tighten the two hexagonal screws pic. 5
7. Make the regulation of the luminaire then fix it by tighten the grub screw (using the tool included in the package) pic 7



## Wiring diagram for QUBO MINI DMX RGBW version:



## Wiring diagram for QUBO MEDIUM MAXI DMX RGBW version:



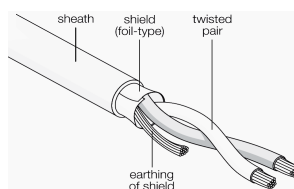
DMX/RDM is a robust and reliable system for lighting control. However, if not implemented correctly, problems can arise such as random flashing of lights, erratic operation and delays in responding to commands. This document explains the best practices in DMX wiring.

The DMX controller sends signals over the DMX cable to the drivers. At the last driver, the cable has to be terminated with a 120Ω resistor to prevent reflections of the signal.

Important things to consider are:

-Always use cable specifically designed for DMX / RS-485. These cables have an impedance of 120Ω and a low capacitance. For instance: Belden 9841 or 3105a.

### Belden 9841 cable



DMX must be terminated with a 120Ω resistor to prevent reflections.

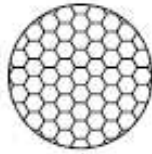
-A daisy chain topology should be used.

-After 32 unit loads a repeater/booster should be used.

-Keep cabling below 300 metres between the controller and the last driver.

# ACCESSORIES

HONEYCOMB LOUVRE  
-AC072 QUBO MINI  
-AC073 QUBO MEDIUM  
-AC074 QUBO MAXI



ACO44  
SPIKE



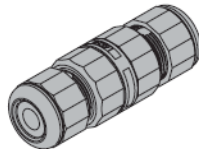
ACO78  
ANTI-GLARE VISOR




ACO38  
TREE STRAP



## CLASS I



See the connector accessory instruction

L	Life / Linea / Leitung Ligne / Linea / Fas Fase / Фаза / Vaihe Linha	Brown / Marrone / Braun Brun / Marrón / Brun Bruin / коричневый / ruska Marrom
N	Neutral / Neutro / Null Neutre / Neutro / Nolla Nul / Ноль / Nolla Neutro	Blue / Blu / Blau Bleu / Azul / Blå Blauw / СИНИЙ / Sininen Azul
	Earth / Terra / Erde Terre / Tierra / Jord Aarde / Земля / Suojamaa Terra	Yellow-Green / Giallo-Verde / Gelb-Grün Jaune-Vert / Amarillo-Verde / Gul-Grön Geel-Groen / Желто-зеленый Keltainen-Vihreä / Amarelo-Verde

CLASS III 24Vdc

RED WIRE + Positive

BLACK WIRE— Negative



RAEE - WEEE

- GB** Directive 2002/96/CE (Waste Electrical and Electronic Equipment - WEEE): information for users  
The crossed out wheeled bin label that can be found on your product indicates that this product should not be disposed of via the normal household waste stream. To prevent possible harm to the environment or human health please separate this product from other waste streams to ensure that it can be recycled in an environmentally sound manner. For more details on available collection facilities please contact your local government office or the retailer where you purchased this product.
- I** DIRETTIVA 2002/96/CE (Rifiuti di Apparecchiature Elettriche ed Elettroniche - RAEE): informazioni agli utenti  
L'etichetta con il cassonetto barrato presente sul prodotto indica che il prodotto non deve essere smaltito tramite la procedura normale di smaltimento dei rifiuti domestici. Per evitare eventuali danni all'ambiente e alla salute umana separare questo prodotto da altri rifiuti domestici in modo che possa venire riciclato in base alle procedure di rispetto ambientale. Per maggiori dettagli sui centri di raccolta disponibili, contattare l'ufficio governativo locale o il rivenditore del prodotto.
- D** Richtlinie 2002/96/EU (Elektro- und Elektronik- Altgeräte - WEEE):  
Benutzerinformationen  
Der Aufkleber mit durchgekrenzter Mülltonne an diesem Produkt weist darauf hin, dass dieses Produkt nicht im normalen Hausmüll entsorgt werden darf. Zur Vermeidung einer möglichen Beeinträchtigung der Umwelt oder der menschlichen Gesundheit darf dieses Produkt nicht in den Hausmüll gegeben werden, um zu gewährleisten, dass es in einer umweltverträglichen Weise recycelt wird. Wenden Sie sich für Informationen zu Entsorgungseinrichtungen an die zuständige Behörde oder das Geschäft, in dem Sie dieses Produkt erworben haben.
- F** Directive 2002/96/CE (Déchets d'équipements électriques et électroniques - DEEE):  
informations aux utilisateurs  
L'étiquette apposée sur ce produit et représentant une poubelle à roulettes rayée indique que le produit ne peut être mis au rebut avec les déchets domestiques normaux. Afin d'éviter d'éventuels dommages au niveau de l'environnement ou de la vie humaine, veuillez séparer ce produit des autres déchets de manière à garantir qu'il soit recyclé de manière sûre au niveau environnemental. Pour plus de détails sur les sites de collecte existants, veuillez contacter l'administration locale ou le détaillant auprès duquel vous avez acheté ce produit.
- E** Directiva 2002/96/CE (Residuos de aparatos eléctricos y electrónicos - RAEE):  
Información para el usuario  
La etiqueta de un contenedor tachado que hallará en su producto indica que este producto no se puede tirar con la basura doméstica normal. Para impedir posibles daños medioambientales o para la salud, separe este producto de otros canales de desecho para garantizar que se recicle de una forma segura para el medio ambiente.  
Para más información sobre las instalaciones de recolección disponibles, dirijase a las autoridades locales o al punto de venta donde adquirió este producto
- SE** Directive 2002/96/CE (Waste Electrical and Electronic Equipment - WEEE) information for users  
  
Symbolen med en överkorsad soptunna innebär att denna produkt inte får kastas i vanligt hushållsavfall. För att skydda miljön och hälsan bör denna produkt inlämnas tillsammans med vanligt hushållsavfall utan lämnas för återvinning på tillbörligt sätt. Örmer information om uppsamlingsplatser, kontakta en lokal myndighet eller den återförsäljare som du köpte produkten från.
- NL** Richtlijn 2002/96/EG (Afgedankte Elektrische en Elektronische Apparaten - AEEA):  
  
informatie voor de gebruikers  
Op uw product is een label van een rolcontainer met een kruis erdoor aangebracht. Dit wil zeggen dat dit product niet bij het normale huishoudelijk afval mag worden gedaan. Om eventuele schade aan het milieu of de gezondheid van de mens te voorkomen moet dit product gescheiden van al het ander afval worden ingezameld, zodat het op een verantwoorde wijze kan worden verwerkt. Voor meer informatie over uw lokale afvalinzameling wendt u zich tot uw gemeente of de leverancier bij wie u dit product hebt gekocht.



This information only applies to customers in the European Union, according to Directive 2002/96/EC OF THE EUROPEAN PARLIAMENT AND OF THE COUNCIL OF 27 January 2003 on waste electrical and electronic equipment (WEEE) and legislation transposing and implementing it into the various national legal systems.