

ALDER SERIES

THE
STRENGTH
OF TREES





**“WE WERE
INSPIRED
BY THE
FORCE
OF NATURE,
PARTICULARLY
BY THE
STRENGTH
OF TREES”**

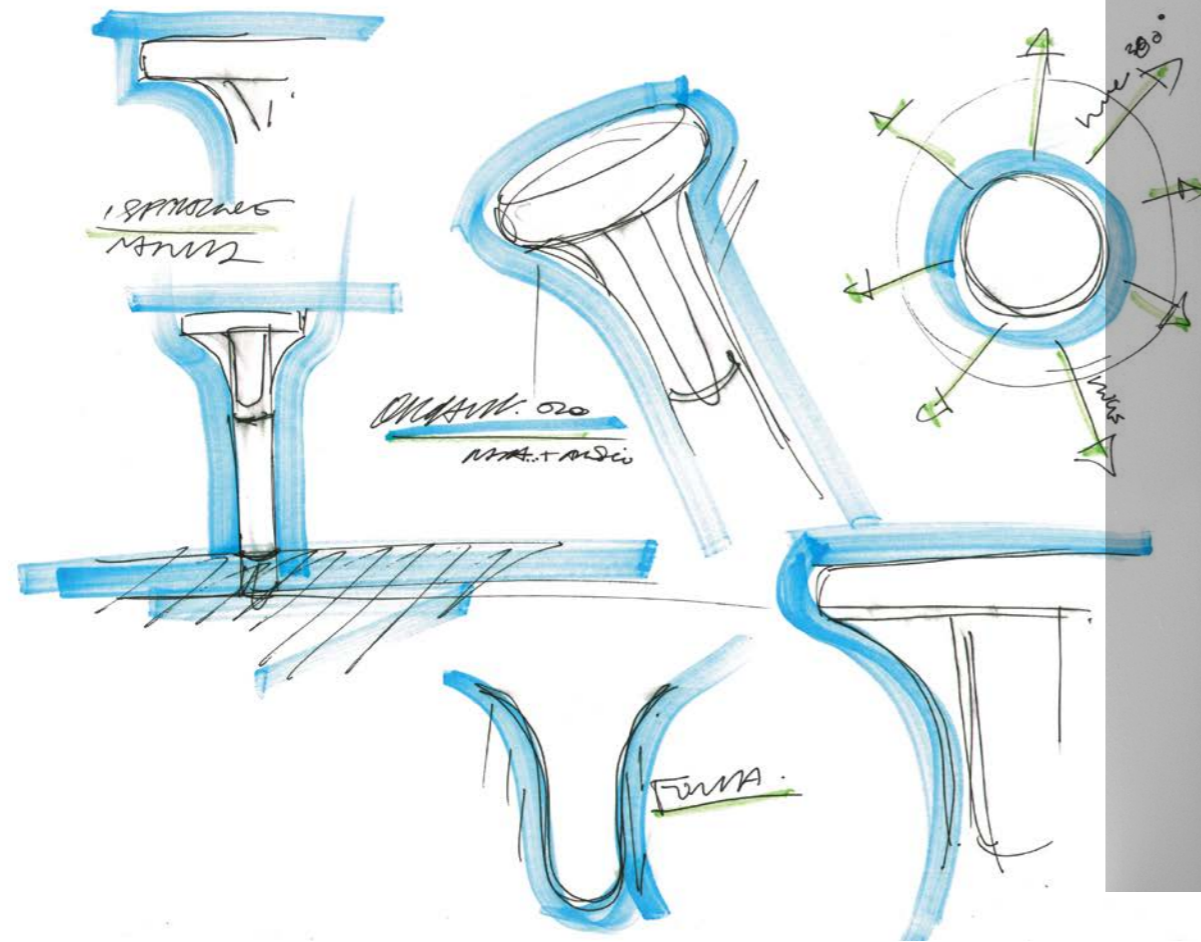


A surprising outdoor luminaire that has the innovative shape of a “T” bollard.

ALDER CAN EASILY FIT IN EVERY GARDEN OR OUTDOOR AREA AND ITS PURPOSE IS TO CLEARLY ENLITE WALKWAYS WITHOUT DISTURBING THE SIGHT, BRIGHTENING EACH STEPS.




designed by Nava+Arosio Studio



**PAOLO EMANUELE NAVA AND LUCA MARIA AROSIO
ARE NAVA + AROSIO.**

WORKING ON DIFFERENT PROJECTS FOR PRESTIGIOUS FIRMS LIKE RUBELLI, LAGO, RIVA1920, ITALAMP AND IN COLLABORATION WITH PAOLO NAVA DESIGN STUDIO. THEY BEGIN TO EXPERIENCE A DESIGN IN WHICH THE PERSON IS THE CENTER WITH HIS/HER MATERIAL AND IMMATERIAL NEEDS. THE STUDIO HAS BEEN GAINING PRESTIGIOUS INTERNATIONAL AWARDS, WITH SEVERAL PROJECTS PUBLISHED BY THE MOST IMPORTANT MASTHEADS OF THE SECTOR.



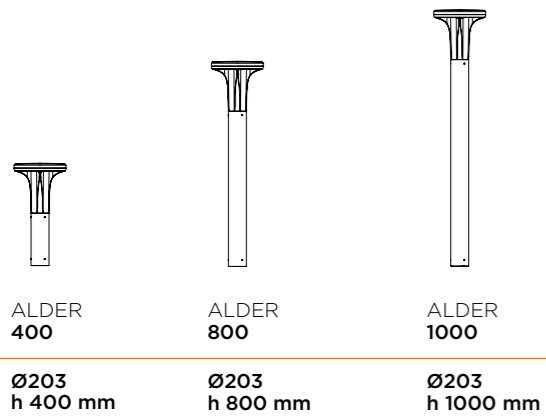
On top
of the pole
which comes
in 3 different
heights,
the lighting
fixture is
composed
by a glass
diffuser that
distributes
the light all
around at 360°,
to the lower.

602201
ALDER 400



The light outcome is granted by mid-power CREE XH-G LED as warm or neutral white. Available in 3 colours, Textured Grey, Anthracite Grey and Matt Black, Alder can be dimmable upon request.

It is elegant
and rigorous
to complete
exclusive
context and
its structure
is created to
last in time.



TECHNICAL DATA

Round or square shape, for outdoor surface installation, 360° and 4x85° light emission, phospho-chromatised and polyester powder coated die-cast copper-free aluminium body, polycarbonate diffuser, moulded silicone gasket and stainless steel screws. Anchorage bolts included.



WATT min - max		20
lumen package		1.600 - 1.650



FINISH COLOR OPTION

Available in 3 colours,
Textured Grey, Anthracite
Grey and Matt Black,
Alder can be dimmable
upon request.

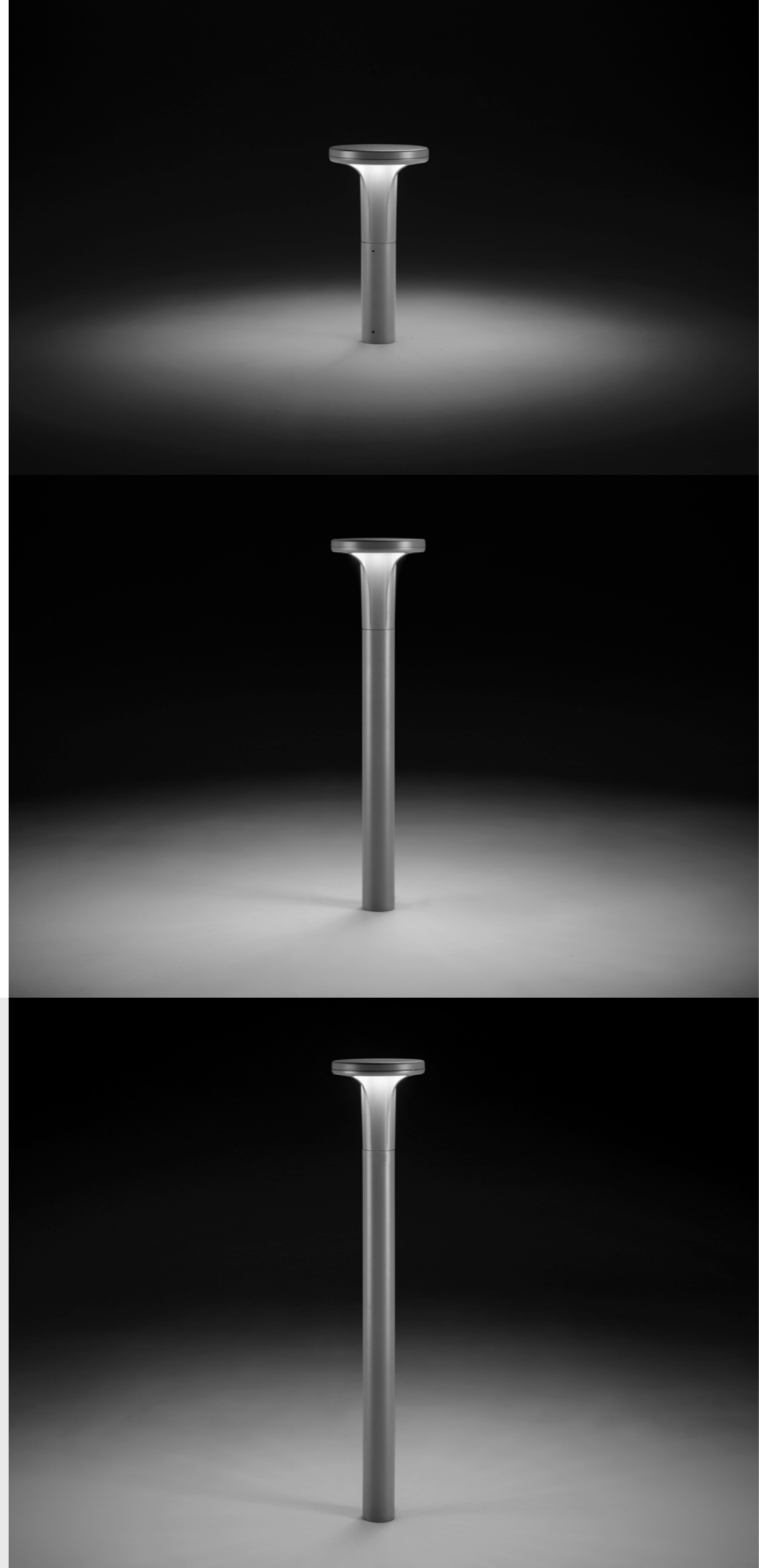


Textured Grey
RAL 9006

Anthracite Grey
RAL 7016

Matt Black
(on request)

Anchorage
unit
for alder
series



The sinuous lines of the bollard are visible thanks to the surrounding light coming from the diffuser.



Step by step, towards the solution

Our professional staff will assist you in designing efficient and reliable solutions thanks to 30 years of experience in design consultancy and technology manufacturing at international level.

- FEASIBILITY STUDY
- PRELIMINARY PROJECT
- FINAL PROJECT
- EXECUTIVE PROJECT



PUK ITALIA GROUP

Via San Giorgio, 16 | 20851 Lissone (MB) Italy
T. +39 039 2457920 | F. + 39 039 2457924
puk@puk.it

