

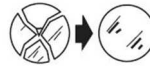
FRAME ROUND SQUARE MEDIUM MAXI

-COD. 402801
 -COD. 402802
 -COD. 402803+EM
 -COD. 402804+EM

ASSEMBLY AND OPERATING INSTRUCTIONS:



-Class I fitting electric grounding is needed



-replace the damaged protective glass



-getting rid of as urban waste forbidden
 -separate collection is mandatory when the product is at the end of its life



Made in Italy

IP65



- GB Retain the instructions.
- I Conservare le istruzioni.
- D Retain the instructions.
- F Bewahren Sie die Anleitung.
- E Conservez ces instructions.

NB: These assembly instructions must be given to end users for correct maintenance and so that they know how to change the bulb. The appliance must not be tampered with or transformed and it must be installed and used as supplied and in compliance with the National Rules on Installations. Any non-compliant installations will invalidate all forms of guarantee. The company cannot be held

COD. 402801



Ø 210 mm

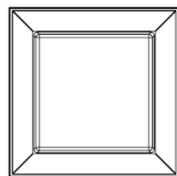


55 mm
68 mm

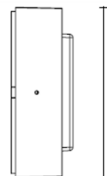
FRAME MEDIUM ROUND

- Power consumption : 16W
- Voltage : 220-240V 50-60Hz
- Color Temperature : 3000K - 4000K
- Beam angle : Diffused
- Insulation class: I
- IK rating : IK09
- IP protection: IP65
- Gross weight: 3.2kg

COD. 402802



200 mm

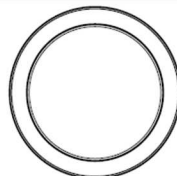


60 mm
73 mm
200 mm

FRAME MEDIUM SQUARE

- Power consumption : 16W
- Voltage : 220-240V 50-60Hz
- Color Temperature : 3000K - 4000K
- Beam angle : Diffused
- Insulation class: I
- IK rating : IK09
- IP protection: IP65
- Gross weight: 3.5kg

COD. 402803+EM



Ø 285 mm

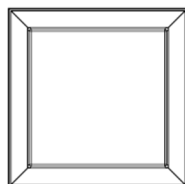


55 mm
68 mm

FRAME MAXI ROUND

- Power consumption : 20W
- Voltage : 220-240V 50-60Hz
- Color Temperature : 3000K - 4000K
- Beam angle : Diffused
- Insulation class: I
- IK rating : IK09
- IP protection: IP65
- Gross weight: 4.2kg
- EM Version: Lithium battery 3h incorporated

COD. 402804+EM



270 mm



60 mm
73 mm
270 mm

FRAME MAXI SQUARE

- Power consumption : 20W
- Voltage : 220-240V 50-60Hz
- Color Temperature : 3000K - 4000K
- Beam angle : Diffused
- Insulation class: I
- IK rating : IK09
- IP protection: IP65
- Gross weight: 4.2kg
- EM Version: Lithium battery 3h incorporated

Recommendations

- 1) verify that the equipment used to connect our devices to enjoy all the guarantees required under European law;
- 2) use the cables, connectors and quality materials for electrical wiring;
- 3) Products with IP66 degree make the wiring / connections with accessories provide the same degree IP of the selected product (available in the catalog);
- 4) In the case of installations outside is not recommended to install the power supplies in the formwork and / or in the junction box without adequate protection
- 5) Honey-comb louvre must be installed directly from the manufacturer . Please mention it during the order

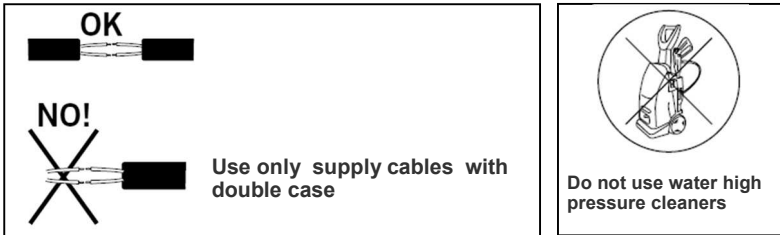
Choice of installation location

The unit should be positioned so that when in use is not subject to direct radiation from the sun or other heat sources . High temperatures reduce the life and efficiency of the components or the LED module .

Note on corrosion protection

For installation and maintenance be especially careful not to damage the coating powder . Damage combined action of water could cause corrosion.

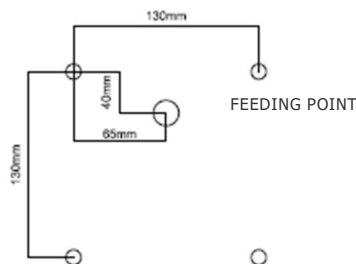
-In the case of damage to the external flexible cable, it must be replaced by the manufacturer, or its assistance service, or equivalent qualified personnel in order to avoid dangers



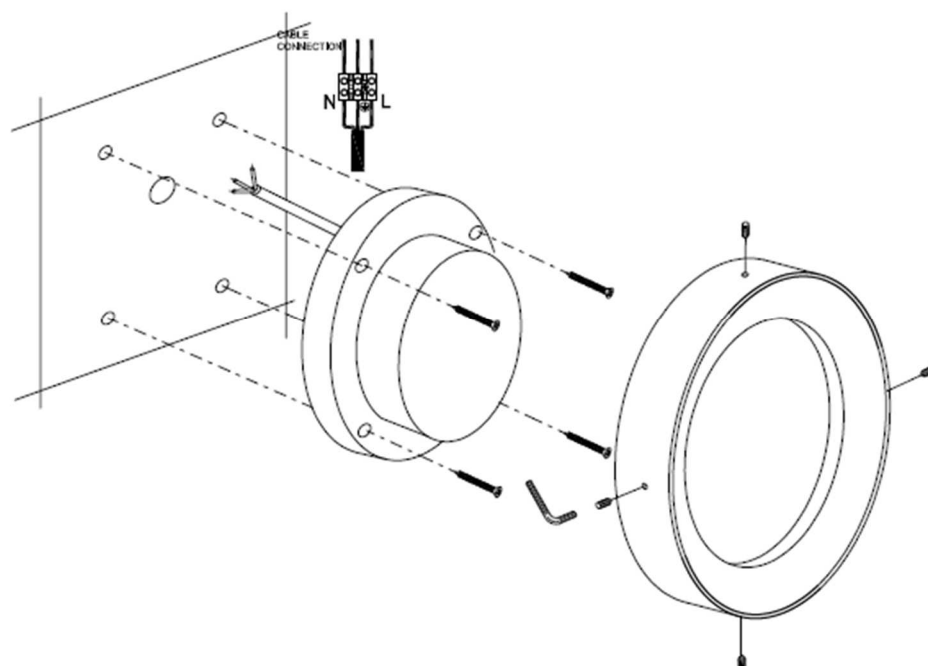
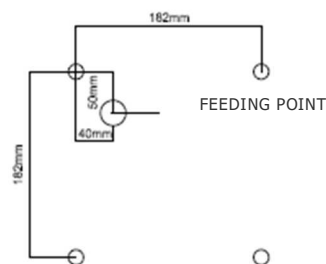
Installation:

1. Loose the four grub-screws in the base and remove the frame
2. Prepare holes in corispondance of the feeding point like the drawing indicated
3. Make the adeguate electrical connection
4. Fix the base by tighten the screws of the fischer plugs
5. Close the luminaire by tighten the four grub-screws using the tool included in the package

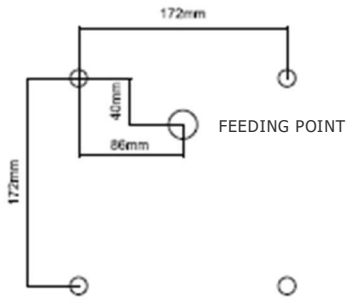
FRAME MEDIUM ROUND



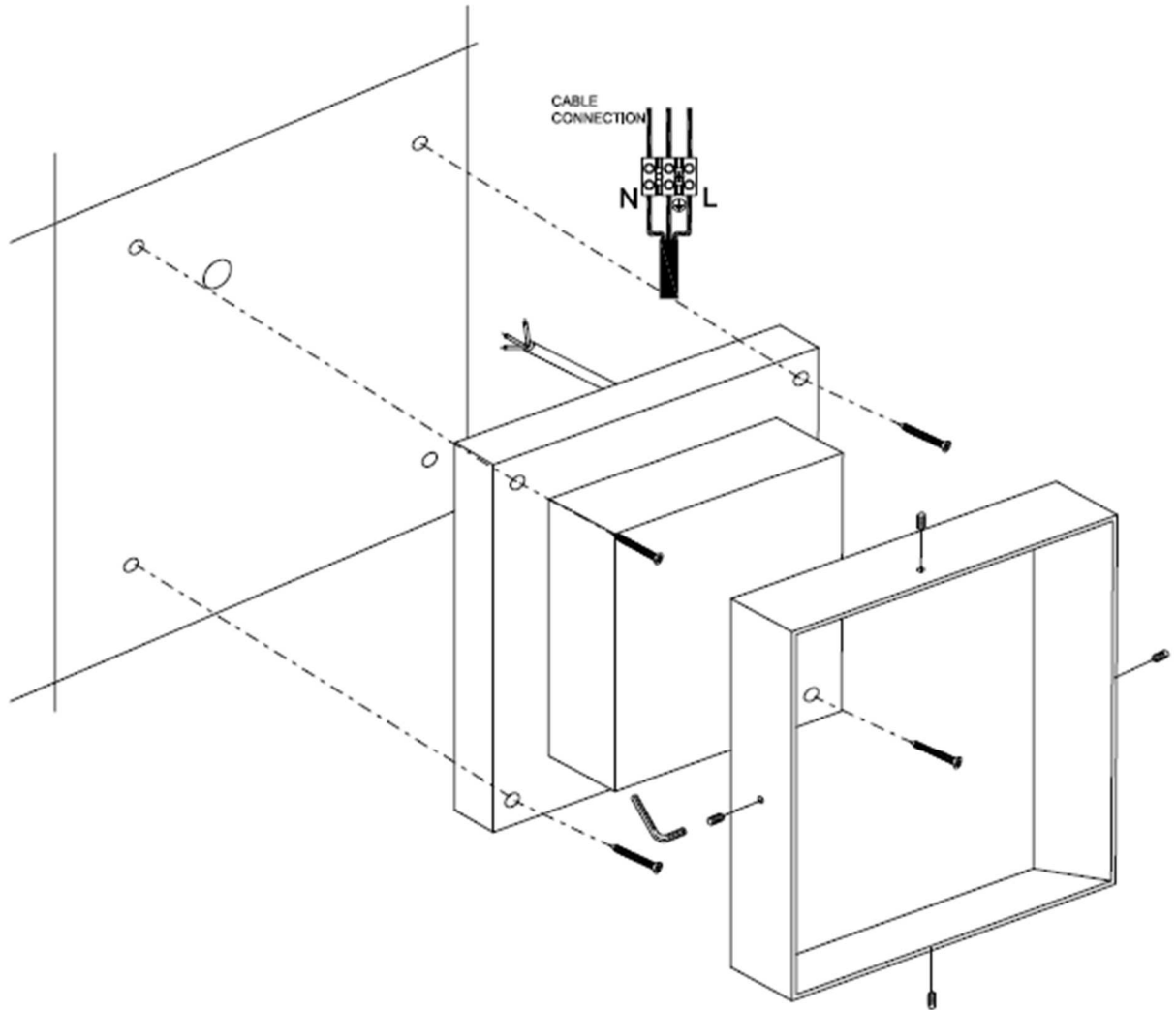
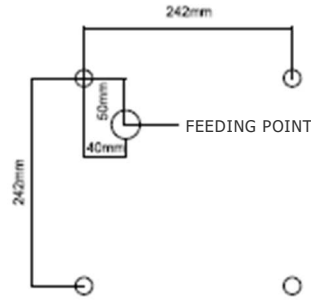
FRAME MAXI ROUND



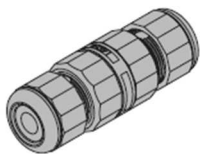
FRAME MEDIUM SQUARE



FRAME MAXI SQUARE



CLASS I



See the connector accessory instruction

L Life / Linea / Leitung
Ligne / Linea / Fas
Fase / Фаза / Vaihe
Linha
Brown / Marrone / Braun
Brun / Marrón / Brun
Bruin / коричневый / ruskea
Marrom

N Neutral / Neutro / Null
Neutre / Neutro / Nolla
Nul / Ноль / Nolla
Neutro
Blue / Blu / Blau
Bleu / Azul / Blå
Blauw / синий / Sininen
Azul

 Earth / Terra / Erde
Terre / Tierra / Jord
Aarde / Земля / Suojamaa
Terra
Yellow-Green / Giallo-Verde / Gelb-Grün
Jaune-Vert / Amarillo-Verde / Gul-Grön
Geel-Groen / Желто-зеленый
Keltainen-Vihreä / Amarelo-Verde



RAEE - WEEE

- GB** Directive 2002/96/CE (Waste Electrical and Electronic Equipment - WEEE): information for users
The crossed out wheeled bin label that can be found on your product indicates that this product should not be disposed of via the normal household waste stream. To prevent possible harm to the environment or human health please separate this product from other waste streams to ensure that it can be recycled in an environmentally sound manner. For more details on available collection facilities please contact your local government office or the retailer where you purchased this product.
- I** DIRETTIVA 2002/96/CE (Rifiuti di Apparecchiature Elettriche ed Elettroniche - RAEE): informazioni agli utenti
L'etichetta con il cassonetto barrato presente sul prodotto indica che il prodotto non deve essere smaltito tramite la procedura normale di smaltimento dei rifiuti domestici. Per evitare eventuali danni all'ambiente e alla salute umana separare questo prodotto da altri rifiuti domestici in modo che possa venire riciclato in base alle procedure di rispetto ambientale. Per maggiori dettagli sui centri di raccolta disponibili, contattare l'ufficio governativo locale o il rivenditore del prodotto.
- D** Richtlinie 2002/96/EU (Elektro- und Elektronik- Altgeräte - WEEE):
Benutzerinformationen
Der Aufkleber mit durchgekrenzter Mülltonne an diesem Produkt weist darauf hin, dass dieses Produkt nicht im normalen Hausmüll entsorgt werden darf. Zur Vermeidung einer möglichen Beeinträchtigung der Umwelt oder der menschlichen Gesundheit darf dieses Produkt nicht in den Hausmüll gegeben werden, um zu gewährleisten, dass es in einer umweltverträglichen Weise recycelt wird. Wenden Sie sich für Informationen zu Entsorgungseinrichtungen an die zuständige Behörde oder das Geschäft, in dem Sie dieses Produkt erworben haben.
- F** Directive 2002/96/CE (Déchets d'équipements électriques et électroniques - DEEE):
informations aux utilisateurs
L'étiquette apposée sur ce produit et représentant une poubelle à roulettes rayée indique que le produit ne peut être mis au rebut avec les déchets domestiques normaux. Afin d'éviter d'éventuels dommages au niveau de l'environnement ou de la vie humaine, veuillez séparer ce produit des autres déchets de manière à garantir qu'il soit recyclé de manière sûre au niveau environnemental. Pour plus de détails sur les sites de collecte existants, veuillez contacter l'administration locale ou le détaillant auprès duquel vous avez acheté ce produit.
- E** Directiva 2002/96/CE (Residuos de aparatos eléctricos y electrónicos - RAEE):
Información para el usuario
La etiqueta de un contenedor tachado que hallará en su producto indica que este producto no se puede tirar con la basura doméstica normal. Para impedir posibles daños medioambientales o para la salud, separe este producto de otros canales de desecho para garantizar que se recicle de una forma segura para el medio ambiente.
Para más información sobre las instalaciones de recolección disponibles, diríjase a las autoridades locales o al punto de venta donde adquirió este producto
- SE** Directive 2002/96/CE (Waste Electrical and Electronic Equipment - WEEE) information for users

Symbolen med en överkorsad soptunna innebär att denna produkt inte får kastas i vanligt hushållsavfall. För att skydda miljön och hälsan bör denna produkt inte kastas tillsammans med vanligt hushållsavfall utan lämnas för återvinning på tillbörligt sätt. Ör mer information om uppsamlingsplatser, kontakta en lokal myndighet eller den återförsäljare som du köpte produkten från.
- NL** Richtlijn 2002/96/EG (Afgedankte Elektrische en Elektronische Apparaten - AEEA):

informatie voor de gebruikers
Op uw product is een label van een rolcontainer met een kruis erdoor aangebracht. Dit wil zeggen dat dit product niet bij het normale huishoudelijk afval mag worden gedaan. Om eventuele schade aan het milieu of de gezondheid van de mens te voorkomen moet dit product gescheiden van al het ander afval worden ingezameld, zodat het op een verantwoorde wijze kan worden verwerkt. Voor meer informatie over uw lokale afvalinzameling wendt u zich tot uw gemeente of de leverancier bij wie u dit product hebt gekocht.



This information only applies to customers in the European Union, according to Directive 2002/96/EC OF THE EUROPEAN PARLIAMENT AND OF THE COUNCIL OF 27 January 2003 on waste electrical and electronic equipment (WEEE) and legislation transposing and implementing it into the various national legal systems.

EMERGENCY VERSION WIRING

-When switching the general lighting on and off by means of an external switch the mains supply must be connected to **L' N' PE** marked cable.

-The circuit of emergency light must be connected to **L N PE** marked cable. Permanent voltage in required to charge the accumulator

