

PROMENADE 01 02 ROUND AND SQUARE

-COD. 601501

-COD. 601502

-COD. 601503

-COD. 601504

ASSEMBLY AND OPERATING INSTRUCTIONS:



-Class II double insulated luminaire (not earthed)



-getting rid of as urban waste forbidden
-separate collection is mandatory when the product is at the end of its life



Made in Italy

IP66



- GB Retain the instructions.
- I Conservare le istruzioni.
- D Retain the instructions.
- F Bewahren Sie die Anleitung.
- E Conservez ces instructions.

NB: The appliance must not be tampered with or transformed and it must be installed and used as supplied and in compliance with the National Rules on Installations. Any non-compliant installations will invalidate all forms of guarantee. The company cannot be held responsible for damage caused by incorrect assembly.

COD. 601501



DIAM 150mm

PROMENADE 01 ROUND

- Power consumption : 26W
- Voltage : 220-240V 50/60Hz
- Color Temperature : 3000K - 4000K
- Beam angle : 360°
- Insulation class: II
- IK rating : IK10
- IP protection: IP66
- Gross weight: 6.5kg

COD. 601502

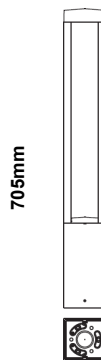


DIAM 150mm

PROMENADE 02 ROUND

- Power consumption : 26W
- Voltage : 220-240V 50/60Hz
- Color Temperature : 3000K - 4000K
- Beam angle : 360°
- Insulation class: II
- IK rating : IK10
- IP protection: IP66
- Gross weight: 7kg

COD. 601503

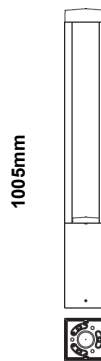


140X140mm

PROMENADE 01 SQUARE

- Power consumption : 26W
- Voltage : 220-240V 50/60Hz
- Color Temperature : 3000K - 4000K
- Beam angle : 360°
- Insulation class: II
- IK rating : IK10
- IP protection: IP66
- Gross weight: 6.8kg

COD. 601504



140X140mm

PROMENADE 02 SQUARE

- Power consumption : 26W
- Voltage : 220-240V 50/60Hz
- Color Temperature : 3000K - 4000K
- Beam angle : 360°
- Insulation class: II
- IK rating : IK10
- IP protection: IP66
- Gross weight: 7.3kg

Recommendations

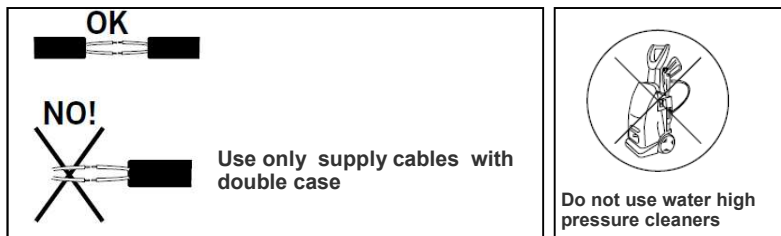
- 1) verify that the equipment used to connect our devices to enjoy all the guarantees required under European law;
- 2) use the cables, connectors and quality materials for electrical wiring;
- 3) Products with IP66 degree make the wiring / connections with accessories provide the same degree IP of the selected product (available in the catalog);
- 4) In the case of installations outside is not recommended to install the power supplies in the formwork and / or in the junction box without adequate protection

Note on corrosion protection

For installation and maintenance be especially careful not to damage the coating powder . Damage combined action of water could cause corrosion.

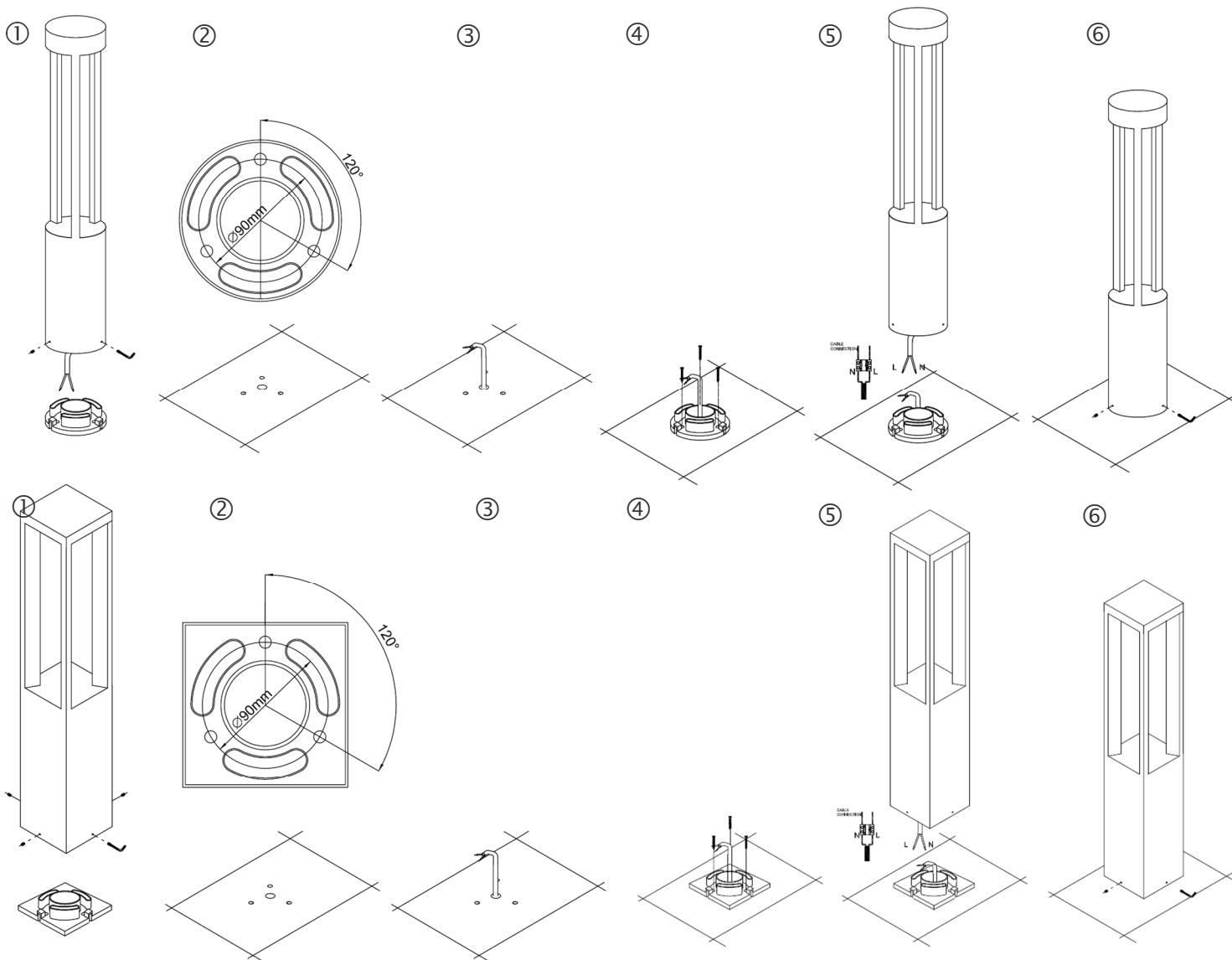
-In the case of damage to the external flexible cable, it must be replaced by the manufacturer, or its assistance service, or equivalent qualified personnel in order to avoid dangers

-Terminal block not included. Installation may require advice from a qualified person. For wiring use a terminal complies with EN60998-2-1, EN 60998-2-2. The IP rating of the electrical connection must be equal to or greater than the IP rating of the luminaire.

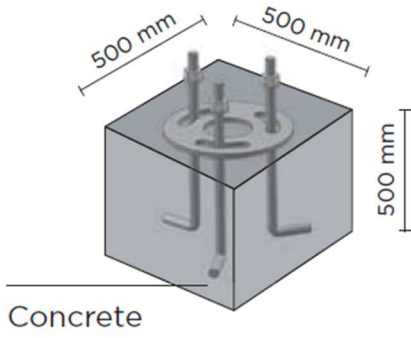


Installation

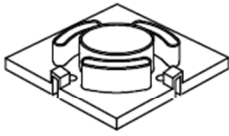
1. Loose the grub-screws in the base of the luminaire using the tool included in the package and remove the fixing plate pic.1
2. Prepare holes in corispondance of the feeding point using fischer plugs pic. 2-3
3. Fix the base to the floor by tighten the screws of the fischer plugs pic.4
4. Make the adequate electrical connection pic. 5
5. Place the luminaire by tighten the grub-screws of the base using the tool included in the package pic. 6



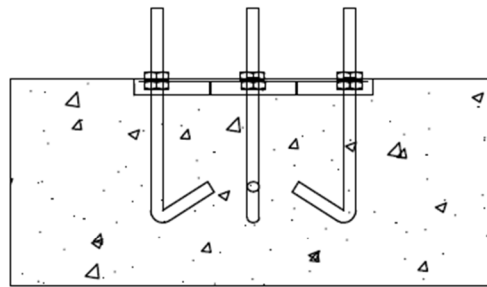
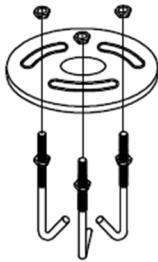
COD. AC053 PROMENADE BASE PLATE



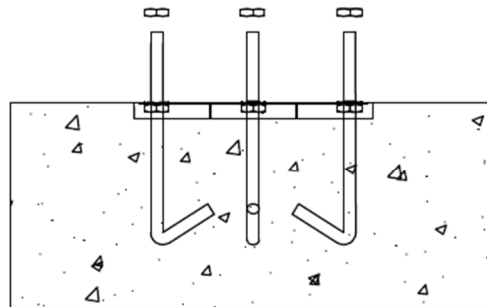
PLASTIC BASE



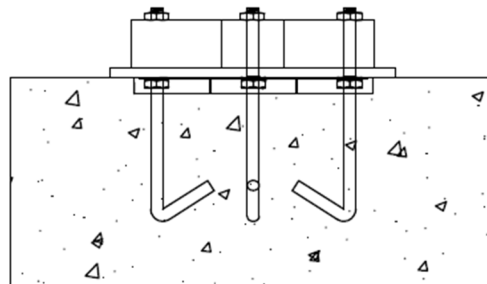
STEEL BASE



1 PLACE THE BASE INTO CONCRETE BED



2 UNSCREW AND REMOVE 3 NUTS



3 INSERT THE PLASTIC BASE AND FIX IT USING 3 NUTS