

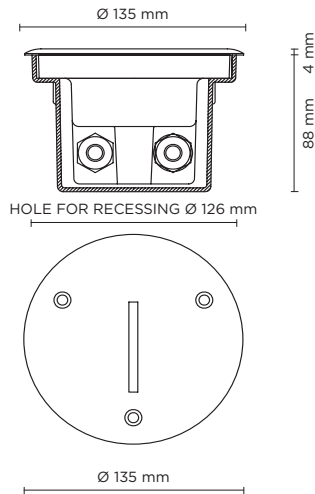
## Technical features



501001

# BLADE COMPACT ROUND

Recessed round luminaire for outdoor installation in the wall, phospho-chromatised and polyester powder coated die-cast copper-free aluminium body, stainless steel AISI 304 frame, tempered safety glass, moulded silicone gasket and stainless steel screws. Built-in LED driver 220-240V 50-60Hz, with 1 high-power LED. IP65 rating.



light source	light beam options	lumen output (lm)	lumin. efficacy (lm/w)
<b>3000°K warm-white</b>			
high-power led	spot directional	96	48.00
<b>4000°K neutral-white</b>			
high-power led	spot directional	100	50.00

### Finish color options:

Stainless Steel

### Technical data

Wattage	2 WATT
IP Rating	IP65
IK Rating	IK08
Material	High corrosion resistance die-cast copper-free aluminum body
Coating	Polyester powder coating with phosphochromating pre-finish
Trim	Stainless steel AISI 304
Light source	NR. 1 x 1W LED
Screws	Stainless steel
Transformer	Electronic power supply 220/240V 50/60Hz built-in
Cable	1 mt. neoprene power cable included
Gasket	Silicone rubber
Glass	Tempered
Cable gland	Double PG11
Gross weight	1,40 Kg
Included	Polypropilene recessing box