

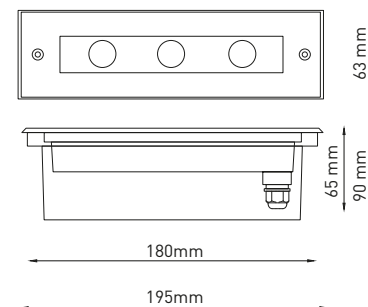
## 502012 HYDROSTEP - LINEAR 03 - LED




Recessed linear steplight for outdoor installation in the wall, asymmetrical light distribution, phosphochromatised and polyester powder coated die-cast copper-free aluminium body, stainless steel frame, tempered clear glass, polypropilene housing for recess, moulded silicone gasket and stainless steel screws. Built-in LED driver 220-240V 50-60Hz, with 3 high-power OSRAM LED. IP65 rating.



### Energy Label **A++**

- Material: high corrosion resistance die-cast copper-free aluminum body
- Coating: polyester powder coating with phosphochromating pre-finish
- Stainless steel AISI 304 frame.
- NR. 3 x OSRAM LED
- Electronic transformer 220/240V 50/60Hz included
- Stainless steel screws
- Silicone rubber gasket
- Tempered safety glass.
- Protection against impact IK09 (10 joule)
- Polypropylene recessing box included.
- 0.5 mt. neoprene power cable included



	LIGHT SOURCE	LED COLOR*	LIGHT BEAM OPTIONS	LUMEN OUTPUT (lm)	LUMINOUS EFFICACY (lm/w)	COLORS OPTIONS
3 WATT 220-240V 50-60HZ ELECTRONIC IP65 0.90 KG UNIT GROSS WEIGHT	HIGH-POWER LED	 3.000°K WARM-WHITE	 45°X 35° ASYMMETRIC	230	76.67	 STAINLESS STEEL