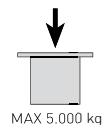
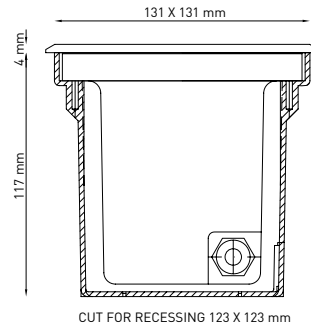
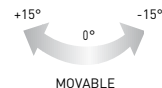




202002P HYDROQUADRO MINI GU5.3

- High corrosion resistance die-cast aluminium body
- Polyester painting with phosphocromating pre-finish
- **Stainless steel frame AISI 304**
- Clear (or frosted) tempered glass
- Stainless steel screws
- **MR16 35W max GU5,3 12V**
- Silicone rubber gasket
- Max static weight resistance 5000 Kg
- Protection against impact IK09 (10 joule)
- **M20 cable gland**
- **Polypropilene housing for recess (included)**



35 WATT

MR 16 - BASE GU5,3

12 VOLTS

IP67 - CE

1,3 KG UNIT GROSS WEIGHT

LIGHT BEAM OPTIONS

SEE BULB
FEATURES

BULB FEATURES



MR 16 - BASE GU5,3

LIGHT COLOURS

SEE BULB
FEATURES

AVAILABLE COLOURS

STAINLESS STEEL

